



JCB TRACKED EXCAVATOR | JS 330 LC/NLC TIER 3

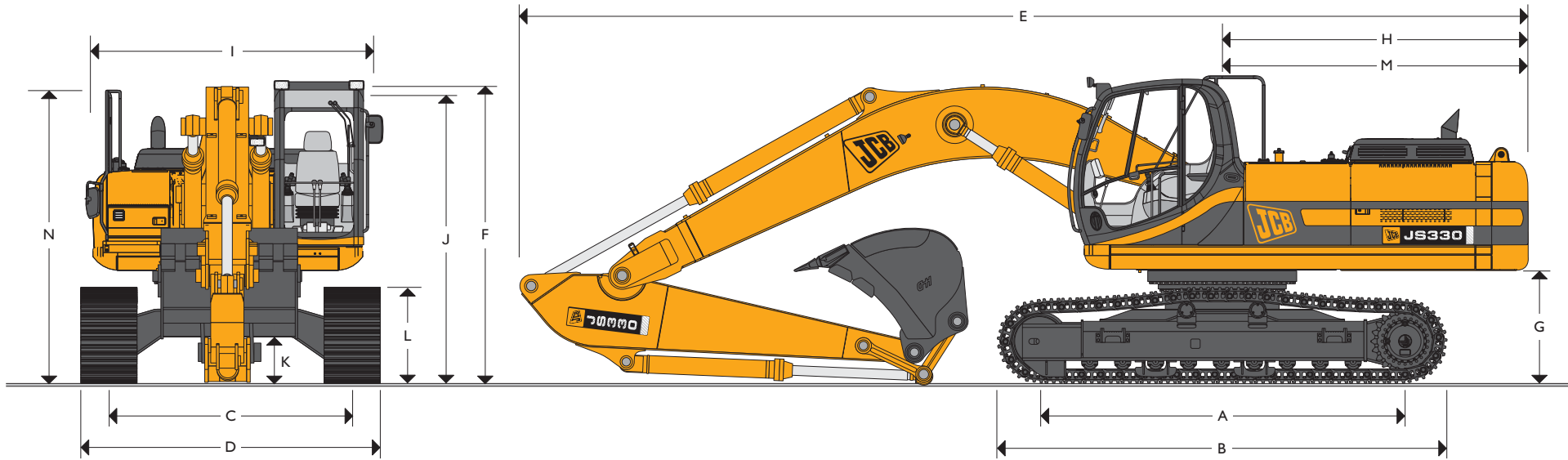


MAX. OPERATING WEIGHT

33288 kg (73387 lb)

NETT ENGINE POWER

202 kW (271 hp)



STATIC DIMENSIONS – JS330 LC/NLC MONOBOOM

Dimensions in millimetres (ft-in)	LC	NLC
A Track length on ground	3910 (12-10)	3910 (12-10)
B Undercarriage overall length	4810 (15-9)	4810 (15-9)
C Track gauge	2600 (8-6)	2390 (7-6)
D Width over tracks (600mm trackshoes)	3200 (10-6)	2990 (9-6)
D Width over tracks (700mm trackshoes)	3300 (10-10)	3090 (10-10)
D Width over tracks (800mm trackshoes)	3400 (11-2)	3190 (12-6)
D Width over tracks (900mm trackshoes)	3500 (11-6)	3290 (10-10)

	ME Boom 6.10m (20ft 0in)	
Dipper lengths	2.21m (7ft 3in)	2.63m (8ft 8in)
Dimensions in millimetres (ft-in)		
E Transport length – L	10720 (35-2)	10630 (34-11)
E Transport length – NL	10720 (35-2)	10630 (34-11)
F Transport height – L	3610 (11-10)	3570 (11-9)
F Transport height – NL	3610 (11-10)	3570 (11-9)

	Standard Boom 6.45m (21ft 2in)			
Dipper lengths	2.21m (7ft 3in)	2.63m (8ft 8in)	3.23m (10ft 8in)	4.03m (13ft 3in)
Dimensions in millimetres (ft-in)				
E Transport length – L	11070 (36-4)	10980 (36-0)	10880 (35-8)	10970 (36-0)
E Transport length – NL	11070 (36-4)	10980 (36-0)	10880 (35-8)	10870 (36-0)
F Transport height – L	3610 (11-10)	3570 (11-9)	3360 (11-3)	3850 (12-8)
F Transport height – NL	3610 (11-10)	3570 (11-9)	3360 (11-3)	3850 (12-8)

Dimensions in millimetres (ft-in)	LC	NLC
G Counterweight clearance	1190 (3-11)	1190 (3-11)
H Tail swing radius	3280 (10-9)	3280 (10-9)
I Overall width of superstructure	2990 (9-10)	2990 (9-10)
J Height over cab	3170 (10-5)	3170 (10-5)
K Ground clearance	500 (1-7)	500 (1-7)
L Track height	1026 (3-4)	1026 (3-4)
M Tail length	3250 (10-8)	3250 (10-8)
N Height over grab rail	3196 910-6)	3196 (10-6)



JCB TRACKED EXCAVATOR | JS 330 LC/NLC

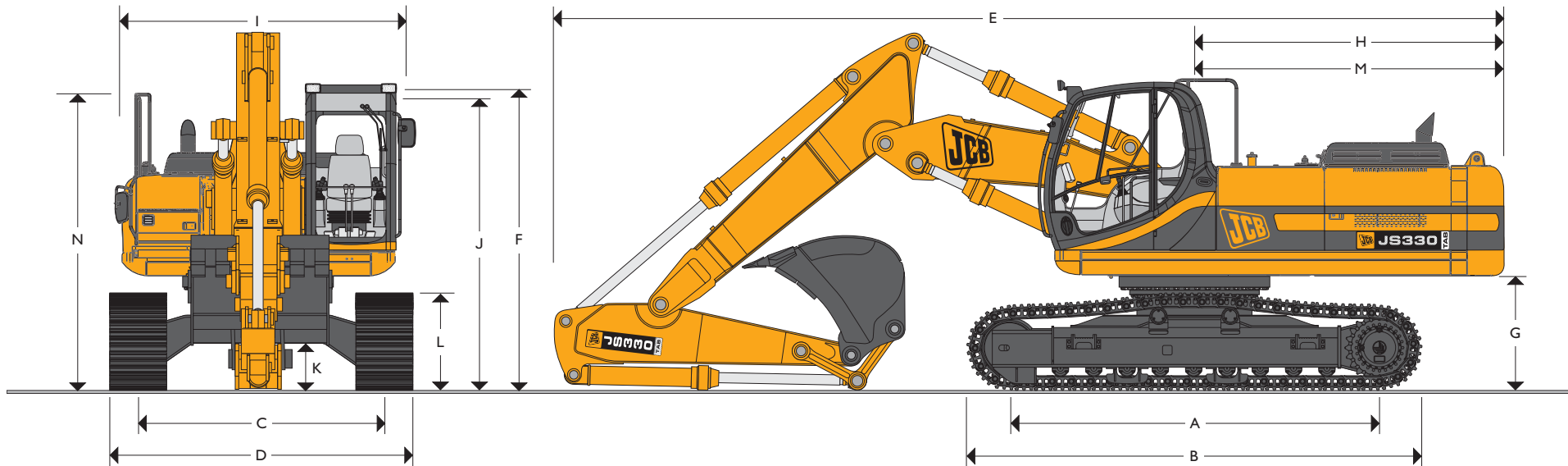


MAX. OPERATING WEIGHT

34725 kg (76556 lb)

NETT ENGINE POWER

202 kW (271 hp)



STATIC DIMENSIONS – JS330 LC/NLC T.A.B.

Dimensions in millimetres (ft-in)	LC	NLC
A Track length on ground	3910 (12-10)	3910 (12-10)
B Undercarriage overall length	4810 (15-9)	4810 (15-9)
C Track gauge	2600 (8-6)	2390 (7-6)
D Width over tracks (600mm trackshoes)	3200 (10-6)	2990 (9-6)
D Width over tracks (700mm trackshoes)	3300 (10-10)	3090 (10-10)
D Width over tracks (800mm trackshoes)	3400 (11-2)	3190 (12-6)
D Width over tracks (900mm trackshoes)	3500 (11-6)	3290 (10-10)

Dimensions in millimetres (ft-in)	LC	NLC
G Counterweight clearance	1190 (3-11)	1190 (3-11)
H Tail swing radius	3280 (10-9)	3280 (10-9)
I Overall width of superstructure	2990 (9-10)	2990 (9-10)
J Height over cab	3170 (10-5)	3170 (10-5)
K Ground clearance	500 (1-7)	500 (1-7)
L Track height	1026 (3-4)	1026 (3-4)
M Tail length	3250 (10-8)	3250 (10-8)
N Height over grab rail	3196 (10-6)	3196 (10-6)

Dipper lengths	2.21m (7ft 3in)	2.63m (8ft 8in)	3.23m (10ft 8in)	4.03m (13ft 3in)
Dimensions in millimetres (ft-in)				
E Transport length – L	10460 (34-4)	10500 (34-5)	10670 (35-0)	10580 (34-9)
E Transport length – NL	10460 (34-4)	10500 (34-5)	10670 (35-0)	10580 (34-9)
F Transport height – L	3990 (13-1)	3840 (12-7)	3530 (11-7)	3850 (12-8)
F Transport height – NL	3990 (13-1)	3840 (12-7)	3530 (11-7)	3850 (12-8)



JCB TRACKED EXCAVATOR | JS 330 LC/NLC



ENGINE

Model	Isuzu AH – 6HK1X Tier 3.
Type	Water cooled, 4-stroke, 6-cylinder in-line, common rail direct injection, turbocharged and intercooled diesel.
Net power (SAE J1349 and 80/1269/EEC)	202kW (271hp) at 2000rpm.
Gross power	210kW (281hp) at 2000rpm.
Piston displacement	7.8 litres (475 cu.in.)
Bore/stroke	115mm x 125mm (4.5in. x 4.9in.)
Air filtration	Dry element with secondary safety element and in-cab warning indicator.
Starting system	24 volt.
Batteries	2 x 12 volt.
Alternator	24V, 50 ampere.

SWING SYSTEM

Swing motor	Axial piston type.
Swing brake	Hydraulic braking plus automatic spring applied disc type parking brake.
Final drive	Planetary reduction.
Swing speed	9.5 rpm
Swing gear	Large diameter, internally toothed fully sealed grease bath lubricated.

UNDERCARRIAGE

Carriage options	L-Long Carriage and NL-Narrow Long Carriage.
Construction	Fully welded, 'X' frame type with central bellyguarding and sloping sidemembers with dirt relief holes under top rollers.
Recovery point	Front and rear.
Track shoe options	600mm (24in), 700mm (28in), 800mm (32in), 900mm (34in).
Upper & lower rollers	Heat treated, sealed and lubricated.
Track adjustment	Grease cylinder type.
Track idler	Sealed and lubricated, with spring cushioned recoil.
Track type	Sealed and lubricated.
	NL & L
No. of track guides	2 per side
No. of lower rollers	9 per side
No. of upper rollers	2 per side
No. of track shoes	50 per side



JCB TRACKED EXCAVATOR | JS 330 LC/NLC



HYDRAULIC SYSTEM

A variable flow load sensing system with flow on demand, variable power output and servo operated, multi-function open centre control.

Pumps

Main pumps	2 variable displacement axial piston type.
Maximum flow	2 x 290 L/min (2 x 64 UK GPM).
Servo pump	Gear type.
Maximum flow	30 L/min (6.6 UK GPM).

Control valve

A combined four and five spool control valve with auxiliary service spool as standard. When required twin pump flow is combined to boom, dipper and bucket services for greater speed and efficiency.

Relief valve settings

Boom/Arm/Bucket	319 bar (4627lbf/sq.in)
With power boost	348 bar (5047lbf/sq.in)
Swing circuit	280 bar (4061 lbf/sq.in)
Travel circuit	325 bar (4712lbf/sq.in)
Pilot control	45 bar (652lbf/sq.in)

Hydraulic cylinders

Double acting type, with bolt-up end caps and hardened steel bearing bushes. End cushioning is fitted as standard on boom, dipper and bucket rams.

Filtration

The hydraulic components are protected by the highest standard of filtration to ensure long hydraulic fluid and component life.

In tank	150 micron, suction strainer.
Main return line	10 micron, fibreform element.
Plexus bypass line	1.5 micron, paper element.
Pilot line	10 micron, paper element.
Hydraulic hammer return	10 micron, reinforced microform element.

Cooling

Worldwide cooling is provided via a single faced full return line air blast cooler with anti-block wavy cooling fins.

TRACK DRIVE

Type

Fully hydrostatic, three speed with autoshift.

Travel motors

Variable swash axial piston type, fully guarded within undercarriage frame.

Final drive

Planetary reduction, bolt-on sprockets.

Service brake

Hydraulic counter balance valve to prevent overspeeding on gradients.

Park brake

Disc type, spring applied, automatic hydraulic release.

Gradeability

70% (35 deg) continuous.

Travel speed

High – 5.6 km/h (3 mph).

Mid – 3.7 km/h (2.1 mph).

Low – 2.5 km/h (1.5 mph).

Tractive effort

244kN (24900kgf, 54904lbf).

EXCAVATOR END – JS330 LC/NLC MONOBOOM

Monoboom available along with a choice of dipper lengths to suit the requirements of reach, dig-depth, loadover height and tearouts. Reserve strength is built into the fully welded structures for hydraulic hammer and other arduous operations. Fabricated bucket tipping links are provided with a choice of lift points.

EXCAVATOR END – JS330 LC/NLC ME

6.1 m monoboom combined with short dipper options gives optimised lift performance maximising bucket capacity. For bulk digging applications.

EXCAVATOR END – JS330 LC/NLC T.A.B.

Triple articulated boom available along with a choice of dipper lengths to suit the requirements of reach, dig-depth, loadover height, tearouts and site versatility. Reserve strength is built into the fully welded structures for hydraulic hammer and other arduous operations.

Fabricated bucket tipping links are provided with a choice of lift points.

Strong, durable construction, large cross sections and multi plate fabrications to withstand high stress applications.

The boom is designed to ensure the optimum digging envelope when matched with the three dipper lengths.



JCB TRACKED EXCAVATOR | JS 330 LC/NLC



CAB

Excellent digging, loading and positioning visibility results from the careful design of front, side and roof lights. All screens are tinted to improve in cab conditions.

Fully opening front screen is very smooth to operate and as the lower screen is stored within the top screen frame it makes complete front screen opening easy, fast and convenient.

Fresh air ventilation available from opening door window, opening slot in front screen and fully opening front screen.

Parallelogram wash wiper for upper screen ensuring good wiped area for maximum visibility. Wiper motor is fitted in the left hand side of the roof screen so as not to affect bucket visibility when loading. Optional lower screen wiper available.

Fresh air ventilation and heater with windscreen demister. Infinitely variable blower speed, temperature and recirculation control.

Climate control. Fully adjustable deluxe suspension seat with arm rest adjustment and backrest recline. Radio with digital tuner fitted into the roof lining for maximum protection. Conveniently placed radio mute button incorporated into lower console.

12v power point and mobile phone holder built into the right hand console. Courtesy light can be operated from ground level and is illuminated for five minutes or until switched off improving operator access at night. Cab mounted roller blind protects operator from suns' glare through front or top screens.

AMS – ADVANCED MANAGEMENT SYSTEM

Four selectable working modes link the operators control movements with the engine and hydraulic systems to maximise productivity and efficiency.

A (Auto)

Up to 100% engine power and 100% flow. Gives variable power and speed depending on the operator's input, matching the demand for output and efficiency to the job. Power boost is automatically activated in this mode should hard conditions be encountered. Auto idle cuts in after a period of inactivity (between 5 and 30 seconds as set by the operator)

E (Economy)

80% engine power. 95% of hydraulic flow maximises economy while maintaining excellent output.

P (Precision)

55% engine power. 90% of hydraulic flow for fine control of grading operations.

L (Lifting)

55% engine power. 68% of hydraulic flow with permanent power boost for maximum lifting power and control.

The Auto mode allows the AMS processor to select the optimum operational performance to match the demands of the job while the three alternative modes give precise matching of application when specific tasks are undertaken.

The adjustable position monitor mounted on the front right hand pillar of the cab gives the operator a constant read out of mode, tracking range, operating temperature and a host of other information, while retaining excellent visibility of the monitor and the job being carried out.

The required flow for hammer applications can be set and stored in the AMS memory and is automatically activated whenever the hammer pedal is depressed.

A maintenance indicator warns of imminent service needs, and all servicing and basic checks can be carried out using only the in cab display.



JCB TRACKED EXCAVATOR | JS 330 LC/NLC



CONTROLS

Excavator	All servo lever operated to ISO control pattern, independently adjustable to the seat.
Tracks	Individually servo operated by foot pedal or hand lever. Speed selection via joystick button.
Auxiliary	Via servo operated foot pedal.
Control isolation	Via gate lock lever at cab entrance or panel switch.
Engine speed	Dial type throttle control plus servo lever mounted one-touch idle control or separate selectable auto-idle with adjustable time delay using AMS.
Engine stop	Ignition key operated and separate shut-down button.
Horn	Operated via servo lever mounted button.

SERVICE CAPACITIES

	Litres	UK gal
Fuel tank	518	114
Engine coolant	38.0	8.4
Engine oil	38.0	8.4
Swing reduction gear	14.5	3.19
track reduction gear (each side)	8.5	1.87
Hydraulic system	320.0	70.4
Hydraulic tank	152.0	33.4

WEIGHTS AND GROUND BEARING PRESSURES

Figures include 1.49cu.m. (1.94cu.yd.) bucket, operator, full fuel tank, 600mm track shoes and 3.23m (10ft 7in) dipper.

	600mm shoes	700mm shoes	800mm shoes	900mm shoes	
JS330NLC Monoboom					
Machine weight	kg (lb)	32089 (70744)	32489 (71626)	32889 (72507)	33289 (73389)
Ground bearing pressure	kg/cm ² (lb/in ²)	0.64 (9.11)	0.55 (7.9)	0.49 (7.0)	0.44 (6.3)
JS330LC Monoboom					
Machine weight	kg (lb)	32229 (71052)	32629 (71934)	33029 (72816)	33429 (73698)
Ground bearing pressure	kg/cm ² (lb/in ²)	0.65 (9.18)	0.56 (8.0)	0.50 (7.0)	0.45 (6.3)
JS330NLC T.A.B.					
Machine weight	kg (lb)	33385 (73601)	33785 (74483)	34185 (75365)	34585 (76247)
Ground bearing pressure	kg/cm ² (lb/in ²)	0.67 (9.51)	0.58 (8.25)	0.51 (7.30)	0.46 (6.57)
JS330LC T.A.B.					
Machine weight	kg (lb)	33525 (73910)	33925 (74792)	34325 (75674)	34725 (76556)
Ground bearing pressure	kg/cm ² (lb/in ²)	0.67 (9.55)	0.58 (8.28)	0.52 (7.33)	0.46 (6.60)



JCB TRACKED EXCAVATOR | JS 330 LC/NLC



STANDARD EXCAVATING BUCKETS

Standard excavating buckets are fully welded, heavy duty steel with hardened and sealed pivot pins.

Mono Boom length: 6.45m (21ft 2in)								
Bucket width	mm (in)	900 (35)	1000 (39)	1200 (47)	1350 (53)	1500 (59)	1600 (63)	1800 (71)
Bucket capacity	m ³ (yd ³)	0.85 (1.11)	0.98 (1.28)	1.245 (1.63)	1.45 (1.9)	1.49 (1.95)	1.61 (2.1)	1.845 (2.41)
Bucket weight	kg (lb)	921 (2030)	974 (2147)	1107 (2441)	1228 (2707)	1252 (2760)	1304 (2875)	1420 (3131)
Dipper length								
2.21m (7ft 3in)		○	○	○	○	○	○	○
2.63m (8ft 8in)		○	○	○	○	○	○	●
3.23m (10ft 7in)		○	○	○	○	●	●	●
4.03m (13ft 3in)		○	○	○	●	●	■	■
ME Boom length: 6.1m (20ft 0in)								
Bucket width		1800 (71)		1750 (70)		1750 (70)		
Bucket capacity	m ³ (yd ³)	1.845 (2.41)		2.2 (2.88)		2.34 (3.06)		
Bucket weight	kg (lb)	1420 (3131)		1790 (3946)		1850 (4079)		
Dipper length								
2.21m (7ft 3in)		○		●		●		
2.63m (8ft 8in)		○		■		■		
TAB length: 6.45m (21ft 2in)								
Bucket width	mm (in)	900 (35)	1000 (39)	1200 (47)	1350 (53)	1500 (59)	1600 (63)	1800 (71)
Bucket capacity	m ³ (yd ³)	0.85 (1.11)	0.98 (1.28)	1.245 (1.63)	1.45 (1.9)	1.49 (1.95)	1.61 (2.1)	1.845 (2.41)
Bucket weight	kg (lb)	921 (2030)	974 (2147)	1107 (2441)	1228 (2707)	1252 (2760)	1304 (2875)	1420 (3131)
Dipper length								
2.21m (7ft 3in)		○	○	○	○	○	○	●
2.63m (8ft 8in)		○	○	○	○	○	○	■
3.23m (10ft 7in)		○	○	○	●	●	●	■
4.03m (13ft 3in)		○	○	●	■	■	■	×

○ Material weight up to 1800kg/m³ (1.35t/yd³)

● Material weight up to 1500kg/m³ (1.1t/yd³)

■ Material weight up to 1200kg/m³ (0.90t/yd³)

× Not recommended

These recommendations are given as a guide based on typical operating conditions.

Please contact your distributor for the correct selection of buckets and attachments to suit the application.

STANDARD / OPTIONAL EQUIPMENT

Standard Equipment: Engine fan guard; Cold start pre-heat; Auto engine warm up; Double element air cleaner; Electric refuelling pump; Heavy duty alternator; Electrics isolator; Heavy duty batteries; Cab & engine soundproofing; Cab heater & screen demister; Tinted glass; Interior light; Coat hook; Cigarette lighter; Ashtray; Climate control; Operator's storage box; Removable floor mat; Windscreen wash/wipe; Plug-in power socket; Automatic power boost; Auto-idle; One-touch engine speed control; Hydraulic cushion control; Boom/swing priority switch; Plexus hydraulic oil filtration; HSP pressure test points; Auxiliary pipework mounting brackets; Work lights – boom & mainframe mounted; Undercarriage belly guarding; Upper structure under covers; Swing system cover; Twin track guides; External mirrors; Handrail & non slip walk ways; Quick connect engine oil drain pipe; Front screen blind; Quick connect fuel tank drain pipe; Hinged engine under cover.

Optional Equipment: Hose burst check valves & overload warning system; Tipping link mounted lift points; General purpose buckets; Ditch/grading buckets; Quickhitch buckets; Hydraulic hammers; Auxiliary pipework (full and low flow); Cab mounted & rear work lights; Rotating beacon; Rain guard; Biodegradable oil; Air suspension seat with heated pad and lumbar support adjustment; lower screen wiper; Radio; Cab protection guarding (FOPS level II).



JCB TRACKED EXCAVATOR | JS 330 LC/NLC

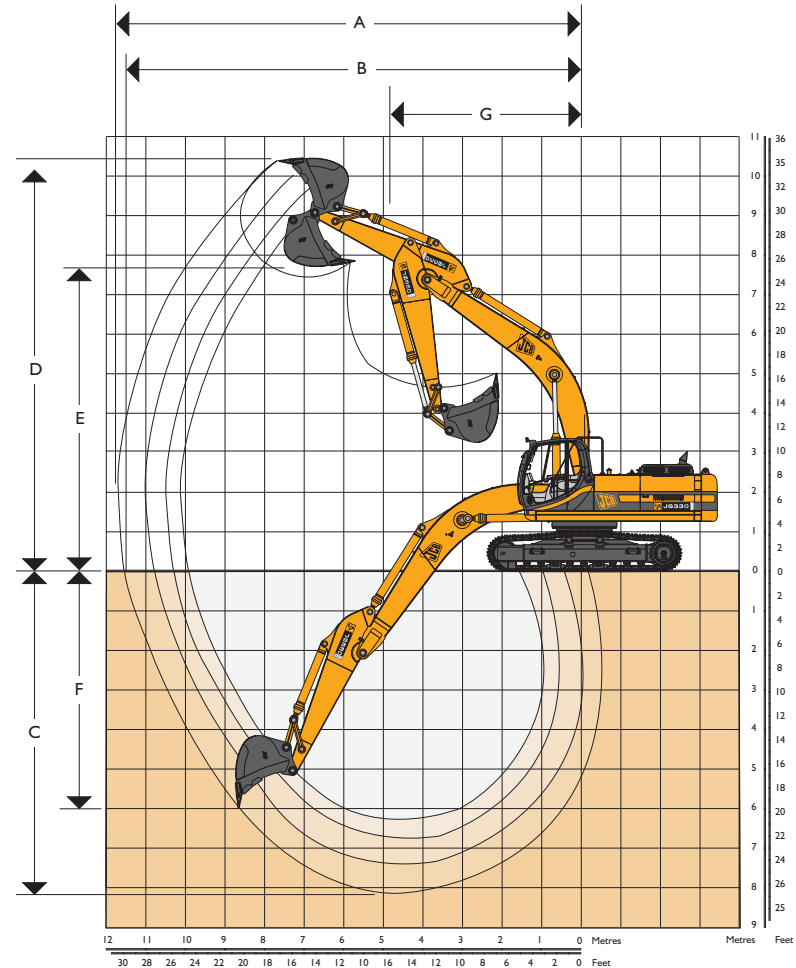


WORKING RANGE – JS330 LC/NLC MONOBOOM

Standard Boom – Boom length: 6.45m (21ft 2in)			
Dipper length		2.21m (7ft 3in)	2.63m (8ft 8in)
A	Maximum digging reach	mm (ft-in)	10060 (33-0) / 10460 (34-4)
B	Maximum reach on ground	mm (ft-in)	9850 (32-4) / 10255 (33-8)
C	Maximum digging depth	mm (ft-in)	6250 (20-6) / 6680 (21-11)
D	Maximum digging height	mm (ft-in)	9525 (31-3) / 9725 (31-11)
E	Maximum dumping height	mm (ft-in)	6820 (20-7) / 7020 (23-0)
F	Maximum vertical cut depth	mm (ft-in)	5870 (19-3) / 6270 (20-7)
G	Minimum swing radius	mm (ft-in)	4670 (15-3) / 4640 (15-3)
	Bucket rotation		184.5° / 184.5°
	Dipper tearout	kgf (lbf)	18300 (40350) / 16100 (35500)
	Dipper tearout with boost	kgf (lbf)	20284 (44719) / 17765 (39165)
	Bucket tearout	kgf (lbf)	17900 (39470) / 17900 (39470)
	Bucket tearout with boost	kgf (lbf)	19500 (43000) / 19500 (43000)

Standard Boom – Boom length: 6.45m (21ft 2in)			
Dipper length		3.23m (10ft 7in)	4.03m (13ft 3in)
A	Maximum digging reach	mm (ft-in)	10878 (35-8) / 11730 (38-6)
B	Maximum reach on ground	mm (ft-in)	10688 (35-1) / 11570 (38-0)
C	Maximum digging depth	mm (ft-in)	7271 (23-10) / 8070 (26-6)
D	Maximum digging height	mm (ft-in)	10125 (33-3) / 10360 (34-0)
E	Maximum dumping height	mm (ft-in)	7300 (23-11) / 7380 (24-10)
F	Maximum vertical cut depth	mm (ft-in)	6820 (22-5) / 7010 (23-0)
G	Minimum swing radius	mm (ft-in)	4510 (14-10) / 4520 (14-10)
	Bucket rotation		184.5° / 184.5°
	Dipper tearout with boost	kgf (lbf)	14805 (32639) / 12875 (28385)
	Bucket tearout with boost	kgf (lbf)	19500 (43000) / 19500 (43000)

ME Boom – Boom length: 6.10m (20ft 0in)			
Dipper length		2.21m (7ft 3in)	2.63m (8ft 8in)
A	Maximum digging reach	mm (ft-in)	9782 (32-1) / 10190 (33-5)
B	Maximum reach on ground	mm (ft-in)	9566 (31-5) / 9984 (32-9)
C	Maximum digging depth	mm (ft-in)	5960 (19-7) / 6387 (20-11)
D	Maximum digging height	mm (ft-in)	9450 (31-0) / 9722 (31-11)
E	Maximum dumping height	mm (ft-in)	6662 (21-10) / 6898 (22-8)
F	Maximum vertical cut depth	mm (ft-in)	3097 (10-2) / 3690 (12-1)
G	Minimum swing radius	mm (ft-in)	4350 (14-3) / 4347 (14-3)
	Bucket rotation		184.5° / 184.5°
	Dipper tearout with boost	kgf (lbf)	20284 (44719) / 17765 (39165)
	Bucket tearout with boost	kgf (lbf)	19500 (43000) / 19500 (43000)





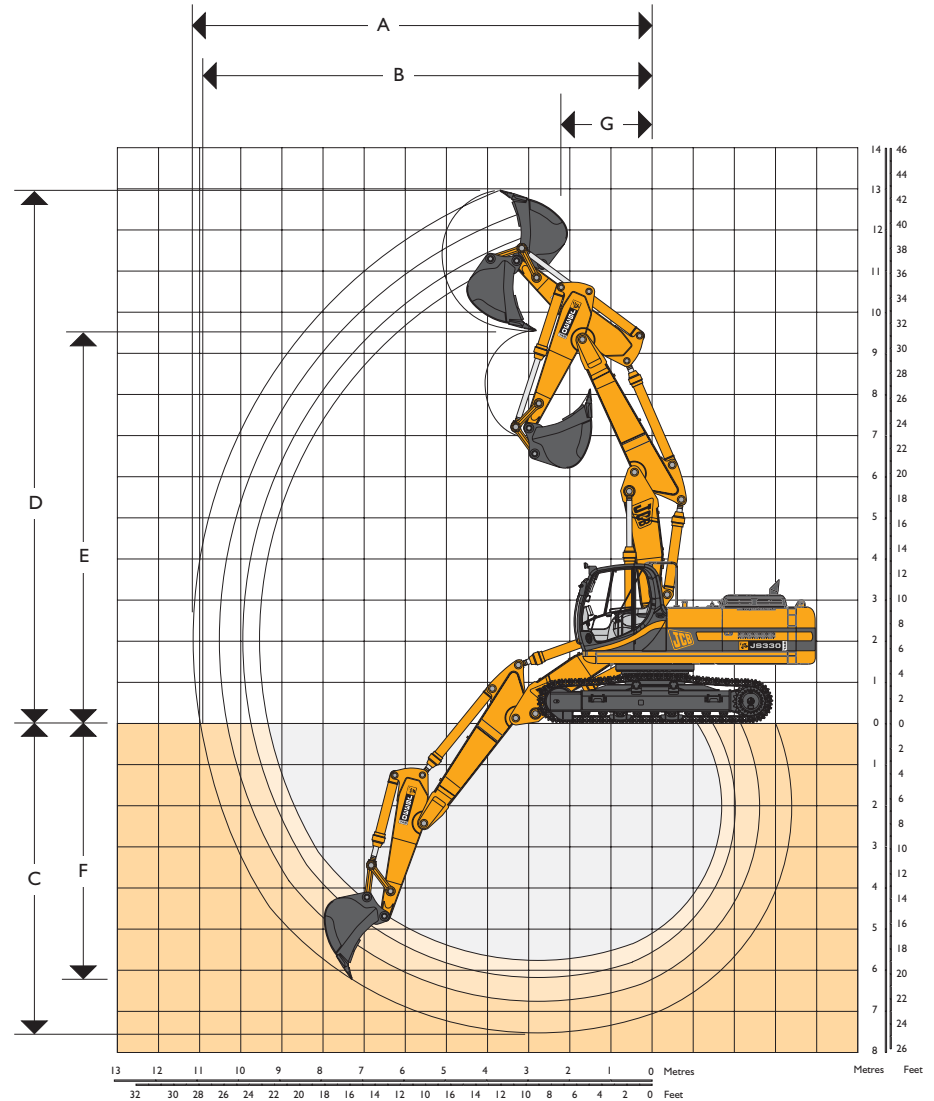
JCB TRACKED EXCAVATOR | JS 330 LC/NLC



WORKING RANGE – JS330 LC/NLC T.A.B.

Standard Boom – Boom length: 6.45m (21ft 2in)				
Dipper length		2.21m (7ft 3in)	2.63m (8ft 8in)	
A	Maximum digging reach	mm (ft-in)	10170 (33-4)	10570 (34-8)
B	Maximum reach on ground	mm (ft-in)	9960 (32-8)	10370 (34-0)
C	Maximum digging depth	mm (ft-in)	5760 (18-11)	6180 (20-3)
D	Maximum digging height	mm (ft-in)	11510 (37-9)	11860 (38-11)
E	Maximum dumping height	mm (ft-in)	8500 (27-11)	8850 (29-0)
F	Maximum vertical cut depth	mm (ft-in)	5020 (16-6)	5610 (18-5)
G	Minimum swing radius	mm (ft-in)	3050 (10-0)	3120 (10-3)
	Bucket rotation		184.5°	184.5°
	Dipper tearout	kgf (lbf)	18300 (40350)	16100 (35500)
	Dipper tearout with boost	kgf (lbf)	20284 (44719)	17765 (39165)
	Bucket tearout	kgf (lbf)	17900 (39470)	17900 (39470)
	Bucket tearout with boost	kgf (lbf)	19500 (43000)	19500 (43000)

Standard Boom – Boom length: 6.45m (21ft 2in)				
Dipper length		3.23m (10ft 7in)	4.03m (13ft 3in)	
A	Maximum digging reach	mm (ft-in)	1140 (3-9)	11890 (39-0)
B	Maximum reach on ground	mm (ft-in)	10950 (35-11)	11710 (38-5)
C	Maximum digging depth	mm (ft-in)	6740 (22-1)	7520 (24-8)
D	Maximum digging height	mm (ft-in)	12360 (40-7)	12950 (42-6)
E	Maximum dumping height	mm (ft-in)	9330 (30-7)	9920 (32-7)
F	Maximum vertical cut depth	mm (ft-in)	6340 (20-10)	7120 (23-4)
G	Minimum swing radius	mm (ft-in)	2900 (9-6)	3330 (10-11)
	Bucket rotation		184.5°	184.5°
	Dipper tearout with boost	kgf (lbf)	14805 (32639)	12875 (28385)
	Bucket tearout with boost	kgf (lbf)	19500 (43000)	19500 (43000)





JCB TRACKED EXCAVATOR | JS 330 LC/NLC



LIFT CAPACITIES – Dipper length: 2.21m, Boom: 6.45m, Trackshoes: 600mm triple grouser.

JS330 LC MONO

Load Point	Reach from Swing Centre												Max. Reach		
	1.5m (4ft 11in)		3m (9ft 10in)		4.5m (14ft 9in)		6m (19ft 8in)		7.5m (24ft 7in)		9m (29ft 6in)		kg	mm	
Ht.	kg	kg	kg	kg	kg	kg	kg	kg	kg	kg	kg	kg	kg	mm	
7.5m (24.7ft)							8640*	8640*					8580*	8100	6491
6m (19.8ft)							8960*	8960*	8240*	6310			8240*	6270	7523
4.5m (14.9ft)					12990*	12990*	9900*	8640	8470*	6170			7970	5390	8151
3m (9.10ft)							11000*	8150	8880	5940			7370	4950	8467
1.5m (4.11ft)							11760*	7770	8650	5730			7200	4810	8506
0m					15700*	11470	11840	7580	8520	5610			7420	4930	8273
- 1.5m (- 4.11ft)					14560*	11530	11340*	7550	8520	5610			8160	5390	7741
- 3m (- 9.10ft)			14810*	14810*	12550*	11730	9820	7690					8190*	6480	6842
- 4.5m (- 14.9ft)					8820*	8820*							7170*	7170*	5388
- 6m (- 19.8ft)															

LIFT CAPACITIES – Dipper length: 2.63m, Boom: 6.45m, Trackshoes: 600mm triple grouser.

JS330 LC MONO

Load Point	Reach from Swing Centre												Max. Reach		
	1.5m (4ft 11in)		3m (9ft 10in)		4.5m (14ft 9in)		6m (19ft 8in)		7.5m (24ft 7in)		9m (29ft 6in)		kg	mm	
Ht.	kg	kg	kg	kg	kg	kg	kg	kg	kg	kg	kg	kg	kg	mm	
7.5m (24.7ft)													7960*	7230	7008
6m (19.8ft)							8530*	8530*	7810*	6430			7720*	5770	7972
4.5m (14.9ft)					12240*	12240*	9520*	8800	8180*	6250			7420	5030	8567
3m (9.10ft)					14820*	12400	10690*	8290	8730*	6010			6910	4650	8867
1.5m (4.11ft)					14130*	11680	11600*	7870	8710	5780			6760	4520	8905
0m					16070*	11460	11890	7620	8540	5630			6940	4620	8682
- 1.5m (- 4.11ft)			11800*	11800*	15140*	11480	11580*	7550	8490	5590			7540	5000	8178
- 3m (- 9.10ft)			16800*	16800*	13380*	11650	10390*	7640					7950*	5860	7334
- 4.5m (- 14.9ft)			12540*	12540*	10220*	10220*	7380*	7380*					7370*	7370*	6004
- 6m (- 19.8ft)															

Lift capacity front and rear.

Lift capacity full circle.

- Notes:**
1. The above loads are in compliance with SAE and ISO Hydraulic Excavator Lift Capacity Standards.
 2. They do not exceed 87% of hydraulic lifting capacity or 75% of tipping load.
 3. Rated loads marked with an asterisk (*) are limited by hydraulic capacity rather than tipping load.



JCB TRACKED EXCAVATOR | JS 330 LC/NLC



LIFT CAPACITIES – Dipper length: 3.23m, Boom: 6.45m, Trackshoes: 600mm triple grouser.

JS330 LC MONO

Load Point	Reach from Swing Centre														
	1.5m (4ft 11in)		3m (9ft 10in)		4.5m (14ft 9in)		6m (19ft 8in)		7.5m (24ft 7in)		9m (29ft 6in)		Max. Reach		
Ht.	kg	kg	kg	kg	kg	kg	kg	kg	kg	kg	kg	kg	kg	kg	mm
7.5m (24.7ft)									6740*	6580			5540*	5540*	7713
6m (19.8ft)									7210*	6530			5350*	5140	8597
4.5m (14.9ft)							8830*	8830*	7680*	6320	6540*	4680	5350*	4540	9150
3m (9.10ft)					13720*	12750	10100*	8390	8320*	6040	6770	4560	5530*	4220	9432
1.5m (4.11ft)					15630*	11850	11190*	7910	8710	5780	6630	4430	5890*	4100	9467
0m					16160*	11450	11780*	7600	8500	5590	6530	4340	6270	4170	9258
- 1.5m (- 4.11ft)			11700*	11700*	15650*	11350	11720	7470	8400	5500			6730	4460	8788
- 3m (- 9.10ft)			18510*	18510*	14270*	11450	10900*	7490	8380*	5530			7510*	5090	8009
- 4.5m (- 14.9ft)			15240*	15240*	11720*	11720*	8880*	7690					7270*	6500	6815
- 6m (- 19.8ft)															

LIFT CAPACITIES – Dipper length: 4.03m, Boom: 6.45m, Trackshoes: 600mm triple grouser.

JS330 LC MONO

Load Point	Reach from Swing Centre														
	1.5m (4ft 11in)		3m (9ft 10in)		4.5m (14ft 9in)		6m (19ft 8in)		7.5m (24ft 7in)		9m (29ft 6in)		Max. Reach		
Ht.	kg	kg	kg	kg	kg	kg	kg	kg	kg	kg	kg	kg	kg	kg	mm
9m (29.6ft)													4890*	4890*	7396
7.5m (24.7ft)													4550*	4550*	8586
6m (19.8ft)									6520*	6520*	5990*	4930	4430*	4430*	9387
4.5m (14.9ft)									7080*	6520	6550*	4830	4450*	4080	9895
3m (9.10ft)					12310*	12310*	9350*	8710	7820*	6220	6900	4680	4590*	3820	10156
1.5m (4.11ft)					14730*	12320	10650*	8160	8550*	5930	6730	4510	4870*	3710	10189
0m			7390*	7390*	15970*	11670	11540*	7760	8610	5680	6580	4380	5330*	3750	9995
- 1.5m (- 4.11ft)	7330*	7330*	11080*	11080*	16080*	11400	11800	7530	8440	5530	6490	4300	5960	3960	9562
- 3m (- 9.10ft)	11460*	11460*	15900*	15900*	15250*	11390	11440*	7460	8390	5480			6660	4410	8853
- 4.5m (- 14.9ft)	16330*	16330*	18410*	18410*	13390*	11560	10150*	7560	7600*	5590			7070*	5330	7792
- 6m (- 19.8ft)			13160*	13160*	9900*	9900*	7070*	7070*					6650*	6650*	6196

Lift capacity front and rear.

Lift capacity full circle.

- Notes:**
1. The above loads are in compliance with SAE and ISO Hydraulic Excavator Lift Capacity Standards.
 2. They do not exceed 87% of hydraulic lifting capacity or 75% of tipping load.
 3. Rated loads marked with an asterisk (*) are limited by hydraulic capacity rather than tipping load.



JCB TRACKED EXCAVATOR | JS 330 LC/NLC



LIFT CAPACITIES – Dipper length: 2.21m, Boom: 6.45m, Trackshoes: 600mm triple grouser.

JS330 NLC MONO

Load Point	Reach from Swing Centre												Max. Reach		
	1.5m (4ft 11in)		3m (9ft 10in)		4.5m (14ft 9in)		6m (19ft 8in)		7.5m (24ft 7in)		9m (29ft 6in)				
Ht.	kg	kg	kg	kg	kg	kg	kg	kg	kg	kg	kg	kg	kg	kg	mm
7.5m (24.7ft)							8640*	8520					8580*	7440	6491
6m (19.8ft)							8960*	8320	8240	5790			8240	5750	7523
4.5m (14.9ft)					12990*	11990	9900*	7900	8470*	5650			7940	4930	8151
3m (9.10ft)							11000*	7420	8840	5420			7340	4520	8467
1.5m (4.11ft)							11760*	7050	8620	5220			7170	4380	8506
0m					15700*	10290	11790	6860	8480	5100			7390	4490	8273
- 1.5m (- 4.11ft)					14560*	10350	11340*	6840	8480	5100			8120	4910	7741
- 3m (- 9.10ft)			14810*	14810*	12550*	10550	9820*	6970					8190*	5890	6842
- 4.5m (- 14.9ft)					8820*	8820*							7170*	7170*	5388
- 6m (- 19.8ft)															

LIFT CAPACITIES – Dipper length: 2.63m, Boom: 6.45m, Trackshoes: 600mm triple grouser.

JS330 NLC MONO

Load Point	Reach from Swing Centre												Max. Reach		
	1.5m (4ft 11in)		3m (9ft 10in)		4.5m (14ft 9in)		6m (19ft 8in)		7.5m (24ft 7in)		9m (29ft 6in)				
Ht.	kg	kg	kg	kg	kg	kg	kg	kg	kg	kg	kg	kg	kg	kg	mm
7.5m (24.7ft)													7960*	6650	7008
6m (19.8ft)							8530*	8480	7810*	5900			7720*	5300	7972
4.5m (14.9ft)					12240*	12240*	9520*	8050	8180*	5730			7390	4600	8567
3m (9.10ft)					14820*	11190	10690*	7560	8730*	5500			6880	4250	8867
1.5m (4.11ft)					14130*	10490	11600*	7150	8680	5270			6730	4120	8905
0m					16070*	10280	11840	6910	8510	5120			6910	4200	8682
- 1.5m (- 4.11ft)			11800*	11800*	15140*	10300	11580*	6840	8460	5080			7500	4550	8178
- 3m (- 9.10ft)			16800*	16800*	13380*	10470	10390*	6920					7950*	5340	7334
- 4.5m (- 14.9ft)			12540*	12540*	10220*	10220*	7380*	7240					7370*	7240	6004
- 6m (- 19.8ft)															

Lift capacity front and rear.

Lift capacity full circle.

- Notes:**
1. The above loads are in compliance with SAE and ISO Hydraulic Excavator Lift Capacity Standards.
 2. They do not exceed 87% of hydraulic lifting capacity or 75% of tipping load.
 3. Rated loads marked with an asterisk (*) are limited by hydraulic capacity rather than tipping load.



JCB TRACKED EXCAVATOR | JS 330 LC/NLC



LIFT CAPACITIES – Dipper length: 3.23m, Boom: 6.45m, Trackshoes: 600mm triple grouser.

JS330 NLC MONO

Load Point	Reach from Swing Centre														
	1.5m (4ft 11in)		3m (9ft 10in)		4.5m (14ft 9in)		6m (19ft 8in)		7.5m (24ft 7in)		9m (29ft 6in)		Max. Reach		
Ht.	kg	kg	kg	kg	kg	kg	kg	kg	kg	kg	kg	kg	kg	kg	mm
7.5m (24.7ft)									6740*	6060			5540*	5540*	7713
6m (19.8ft)									7210*	6000			5350*	4720	8597
4.5m (14.9ft)							8830*	8180	7680*	5790	6540*	4280	5350*	4150	9150
3m (9.10ft)					13720*	11530	10100*	7650	8320*	5520	6740	4160	5530*	3850	9432
1.5m (4.11ft)					15630*	10650	11190*	7190	8680	5270	6600	4040	5890*	3730	9467
0m					16160*	10270	11780*	6880	8460	5080	6500	3940	6420	3790	9258
- 1.5m (- 4.11ft)			11700*	11700*	15650*	10180	11670	6750	8360	4990			6700	4050	8788
- 3m (- 9.10ft)			18510*	18510*	14270*	10270	10900*	6770	8380*	5020			7510*	4630	8009
- 4.5m (- 14.9ft)			15240*	15240*	11720*	10540	8880*	6970					7270*	5910	6815
- 6m (- 19.8ft)															

LIFT CAPACITIES – Dipper length: 4.03m, Boom: 6.45m, Trackshoes: 600mm triple grouser.

JS330 NLC MONO

Load Point	Reach from Swing Centre														
	1.5m (4ft 11in)		3m (9ft 10in)		4.5m (14ft 9in)		6m (19ft 8in)		7.5m (24ft 7in)		9m (29ft 6in)		Max. Reach		
Ht.	kg	kg	kg	kg	kg	kg	kg	kg	kg	kg	kg	kg	kg	kg	mm
9m (29.6ft)													4890*	4890*	7396
7.5m (24.7ft)													4550*	4550*	8586
6m (19.8ft)									6520*	6220	5990*	4520	4430*	4170	9387
4.5m (14.9ft)									7080*	5990	6550*	4430	4450*	3730	9895
3m (9.10ft)					12310*	12180	9350*	7960	7820*	5700	6880	4280	4590*	3480	10156
1.5m (4.11ft)					14730*	11110	10650*	7430	8550*	5410	6700	4120	4870*	3380	10189
0m			7390*	7390*	15970*	10480	11540*	7030	8570	5170	6550	3980	5330*	3410	9995
- 1.5m (- 4.11ft)	7330*	7330*	11080*	11080*	16080*	10220	11750	6810	8400	5020	6460	3900	5940	3590	9562
- 3m (- 9.10ft)	11460*	11460*	15900*	15900*	15250*	10210	11440*	6750	8360	4980			6630	4000	8853
- 4.5m (- 14.9ft)	16330*	16330*	18410*	18410*	13390*	10380	10150*	6840	7600*	5080			7070*	4850	7792
- 6m (- 19.8ft)			13160*	13160*	9900*	9900*	7070*	7070*					6650*	6650*	6196

Lift capacity front and rear.

Lift capacity full circle.

- Notes:**
1. The above loads are in compliance with SAE and ISO Hydraulic Excavator Lift Capacity Standards.
 2. They do not exceed 87% of hydraulic lifting capacity or 75% of tipping load.
 3. Rated loads marked with an asterisk (*) are limited by hydraulic capacity rather than tipping load.



JCB TRACKED EXCAVATOR | JS 330 LC/NLC



LIFT CAPACITIES – Dipper length: 2.21m, Boom: 6.1m, Trackshoes: 600mm triple grouser.

JS330 LC ME

Load Point	Reach from Swing Centre												Max. Reach		
	1.5m (4ft 11in)		3m (9ft 10in)		4.5m (14ft 9in)		6m (19ft 8in)		7.5m (24ft 7in)		9m (29ft 6in)				
Ht.	kg	kg	kg	kg	kg	kg	kg	kg	kg	kg	kg	kg	kg	kg	mm
7.5m (24.7ft)							9290*	9230					9300*	9030	6073
6m (19.8ft)							9310*	9140					8830*	6830	7166
4.5m (14.9ft)					12920*	12920*	10140*	8780	8830*	6230			8580	5820	7824
3m (9.10ft)							11190*	8340	8990	6050			7900	5330	8152
1.5m (4.11ft)							11960*	7980	8790	5860			7720	5180	8193
0m					16160*	11740	12050	7780	8670	5760			7990	5340	7950
- 1.5m (- 4.11ft)			15470*	15470*	14880*	11780	11430*	7750					8760*	5890	7396
- 3m (- 9.10ft)			15210*	15210*		12500	11990	9470*	7910				8400	7220	6447
- 4.5m (- 14.9ft)															
- 6m (- 19.8ft)															

LIFT CAPACITIES – Dipper length: 2.63m, Boom: 6.1m, Trackshoes: 600mm triple grouser.

JS330 LC ME

Load Point	Reach from Swing Centre												Max. Reach		
	1.5m (4ft 11in)		3m (9ft 10in)		4.5m (14ft 9in)		6m (19ft 8in)		7.5m (24ft 7in)		9m (29ft 6in)				
Ht.	kg	kg	kg	kg	kg	kg	kg	kg	kg	kg	kg	kg	kg	kg	mm
7.5m (24.7ft)							8580*	8580*					7710*	7710*	6615
6m (19.8ft)							8830*	8830*	8270*	6430			7310*	6240	7630
4.5m (14.9ft)					12190*	12190*	9730*	8930	8500*	6320			7270*	5400	8250
3m (9.10ft)					14740*	12820	10880*	8470	8990*	6120			7370	4990	8562
1.5m (4.11ft)					16310*	12060	11800*	8070	8840	5910			7210	4850	8601
0m					16420*	11770	12110	7820	8690	5770			7430	4980	8370
- 1.5m (- 4.11ft)			14940*	14940*	15460*	11750	11720*	7750	8660	5740			8140	5430	7846
- 3m (- 9.10ft)			17220*	17220*	13430*	11920	10230*	7850					8180*	6470	6960
- 4.5m (- 14.9ft)					9520*	9520*							7220*	7220*	5538
- 6m (- 19.8ft)															

Lift capacity front and rear.

Lift capacity full circle.

- Notes:**
1. The above loads are in compliance with SAE and ISO Hydraulic Excavator Lift Capacity Standards.
 2. They do not exceed 87% of hydraulic lifting capacity or 75% of tipping load.
 3. Rated loads marked with an asterisk (*) are limited by hydraulic capacity rather than tipping load.



JCB TRACKED EXCAVATOR | JS 330 LC/NLC



LIFT CAPACITIES – Dipper length: 2.21m, Boom: 6.1m, Trackshoes: 600mm triple grouser.

JS330 NLC ME

Load Point	Reach from Swing Centre												Max. Reach		
	1.5m (4ft 11in)		3m (9ft 10in)		4.5m (14ft 9in)		6m (19ft 8in)		7.5m (24ft 7in)		9m (29ft 6in)				
Ht.	kg	kg	kg	kg	kg	kg	kg	kg	kg	kg	kg	kg	kg	kg	mm
7.5m (24.7ft)							9290*	8480					9300*	8300	6073
6m (19.8ft)							9310*	8400					8830*	6270	7166
4.5m (14.9ft)					12920*	12330	10140*	8830*	5720				8540	5330	7824
3m (9.10ft)							11190*	7610	8950	5530			7870	4880	8152
1.5m (4.11ft)							11960*	7250	8750	5350			7690	4730	8193
0m					16160*	10550	12000	7060	8630	5250			7690	4870	7950
- 1.5m (- 4.11ft)			15470*	15470*	14880*	10600	11430*	7030					8760*	5370	7396
- 3m (- 9.10ft)			15210*	15210*	12500*	10800	9470	7190					8400*	6570	6447
- 4.5m (- 14.9ft)															
- 6m (- 19.8ft)															

LIFT CAPACITIES – Dipper length: 2.63m, Boom: 6.1m, Trackshoes: 600mm triple grouser.

JS330 NLC ME

Load Point	Reach from Swing Centre												Max. Reach		
	1.5m (4ft 11in)		3m (9ft 10in)		4.5m (14ft 9in)		6m (19ft 8in)		7.5m (24ft 7in)		9m (29ft 6in)				
Ht.	kg	kg	kg	kg	kg	kg	kg	kg	kg	kg	kg	kg	kg	kg	mm
7.5m (24.7ft)							8580*	8580*					7710*	7310	6615
6m (19.8ft)							8830*	8540	8270*	5910			7310*	5730	7630
4.5m (14.9ft)					12190*	12190*	9730*	8190	8500*	5800			7270*	4950	8250
3m (9.10ft)					14740*	11600	10880*	7740	8990*	5600			7340	4560	8562
1.5m (4.11ft)					16310*	10860	11800*	7340	8810	5400			7180	4430	8601
0m					16420*	10580	12060	7100	8650	5260			7400	4540	8370
- 1.5m (- 4.11ft)			14940*	14940*	15460*	10570	11720*	7030	8620	5230			8110	4950	7846
- 3m (- 9.10ft)			17220*	17220*	13430*	10730	10230*	7130					8180*	5890	6960
- 4.5m (- 14.9ft)					9520*	9520*							7220*	7220*	5538
- 6m (- 19.8ft)															

Lift capacity front and rear.

Lift capacity full circle.

- Notes:**
1. The above loads are in compliance with SAE and ISO Hydraulic Excavator Lift Capacity Standards.
 2. They do not exceed 87% of hydraulic lifting capacity or 75% of tipping load.
 3. Rated loads marked with an asterisk (*) are limited by hydraulic capacity rather than tipping load.



JCB TRACKED EXCAVATOR | JS 330 LC/NLC



LIFT CAPACITIES – Dipper length: 2.21m, Boom: 6.4m, Trackshoes: 600mm triple grouser.

JS330 NC T.A.B.

Load Point	Reach from Swing Centre														
	1.5m (4ft 11in)		3m (9ft 10in)		4.5m (14ft 9in)		6m (19ft 8in)		7.5m (24ft 7in)		9m (29ft 6in)		Max. Reach		
Ht.	kg	kg	kg	kg	kg	kg	kg	kg	kg	kg	kg	kg	kg	kg	mm
9m (29.6ft)					13110*	13110*							12530*	11840	4961
7.5m (24.7ft)					12840*	12840*	10750*	8760					10230*	7380	6615
6m (19.8ft)					13760*	13450	10950*	8560	9310*	5940			9210*	5760	7630
4.5m (14.9ft)					15350*	12330	11510*	8120	9380	5800			8030	4970	8250
3m (9.10ft)							11950*	7630	9130	5580			7460	4580	8562
1.5m (4.11ft)							11810*	7260	8910	5380			7310	4460	8600
0m							10850*	7090	8450*	5270			6900*	4580	8370
- 1.5m (- 4.11ft)					10340*	10340*	9000*	7090	6720*	5300			5920*	5030	7845

LIFT CAPACITIES – Dipper length: 2.63m, Boom: 6.4m, Trackshoes: 600mm triple grouser.

JS330 NC T.A.B.

Load Point	Reach from Swing Centre														
	1.5m (4ft 11in)		3m (9ft 10in)		4.5m (14ft 9in)		6m (19ft 8in)		7.5m (24ft 7in)		9m (29ft 6in)		Max. Reach		
Ht.	kg	kg	kg	kg	kg	kg	kg	kg	kg	kg	kg	kg	kg	kg	mm
9m (29.6ft)					12350*	12350*							9370*	9370*	5651
7.5m (24.7ft)					12280*	12280*	10340*	8940					8250*	6580	7144
6m (19.8ft)			13450*	13450*	13240*	13240*	10650*	8720	9080*	6070			7830*	5290	8091
4.5m (14.9ft)					14880*	12700	11290*	8280	9250*	5890			7460	4620	8678
3m (9.10ft)							11860*	7770	9210	5650			6970	4290	8975
1.5m (4.11ft)							11930*	7350	8960	5430	6850	4190	6840	4180	9012
0m					14080*	10630	11210*	7130	8760*	5290			6650*	4290	8792
- 1.5m (- 4.11ft)					11580*	10690	9640*	7080	7400*	5270			5830*	4650	8295
- 3m (- 9.10ft)							6970*	6970*					4910*	4910*	7294

Lift capacity front and rear.

Lift capacity full circle.

- Notes:**
1. The above loads are in compliance with SAE and ISO Hydraulic Excavator Lift Capacity Standards.
 2. They do not exceed 87% of hydraulic lifting capacity or 75% of tipping load.
 3. Rated loads marked with an asterisk (*) are limited by hydraulic capacity rather than tipping load.



JCB TRACKED EXCAVATOR | JS 330 LC/NLC



LIFT CAPACITIES – Dipper length: 3.23m, Boom: 6.4m, Trackshoes: 600mm triple grouser.

JS330 NC T.A.B.

Load Point	Reach from Swing Centre																
	1.5m (4ft 11in)		3m (9ft 10in)		4.5m (14ft 9in)		6m (19ft 8in)		7.5m (24ft 7in)		9m (29ft 6in)		Max. Reach				
Ht.	kg	kg	kg	kg	kg	kg	kg	kg	kg	kg	kg	kg	kg	kg	mm		
10.5m (34.4ft)														7730*	7730*	4363	
9m (29.6ft)							8370*	8370*						6020*	6020*	6545	
7.5m (24.7ft)							9590*	9140	7520*	6230				5380*	5380*	7867	
6m (19.8ft)							10200*	10200*	10090*	8880				5110*	4690	8735	
4.5m (14.9ft)							14000*	13070	10800*	8420	8950*	5960	7090	4400	5040*	4160	9280
3m (9.10ft)							15690*	11840	11530*	7860	9230*	5680	6960	4280	5120*	3870	9558
1.5m (4.11ft)							16140*	10940	11860*	7380	8960	5420	6820	4150	5360*	3770	9593
0m							15060*	10570	11480*	7080	8750	5230	6730	4070	5810*	3850	9387
- 1.5m (- 4.11ft)			10470*	10470*	12930*	10520	10270*	6970	7970*	5150				5580*	4120	8924	
- 3m (- 9.10ft)					9840*	9840*	8080*	7020	5940*	5220				4530*	4530*	8458	

LIFT CAPACITIES – Dipper length: 4.0m, Boom: 6.4m, Trackshoes: 600mm triple grouser.

JS330 NC T.A.B.

Load Point	Reach from Swing Centre															
	1.5m (4ft 11in)		3m (9ft 10in)		4.5m (14ft 9in)		6m (19ft 8in)		7.5m (24ft 7in)		9m (29ft 6in)		Max. Reach			
Ht.	kg	kg	kg	kg	kg	kg	kg	kg	kg	kg	kg	kg	kg	kg	mm	
10.5m (34.4ft)														5640*	5640*	5840
9m (29.6ft)							7520*	7520*	5230*	5230*				4740*	4740*	7602
7.5m (24.7ft)							7530*	7530*	7280*	6390				4340*	4340*	8763
6m (19.8ft)							7980*	7980*	8040*	6280	6430*	4520		4170*	4000	9549
4.5m (14.9ft)			10030*	10030*	10160*	10160*	9940*	8630	8420*	6030	7130	4420		4130*	3580	10049
3m (9.10ft)					14640*	12320	10920*	8020	8820*	5710	6960	4260		4210*	3340	10306
1.5m (4.11ft)					15820*	11140	11530*	7440	8960	5390	6770	4080		4400*	3260	10338
0m					15590*	10480	11540*	7010	8670	5140	6610	3940		4750*	3300	10147
- 1.5m (- 4.11ft)			9920*	9920*	14120*	10240	10780*	6790	8380*	4990	6400*	3880		5230*	3500	9721
- 3m (- 9.10ft)			14100*	14100*	11610*	10280	9140*	6760	7010*	4970	4560*	3930		4500*	3920	9025
- 4.5m (- 14.9ft)							6360*	6360*						4510*	4510*	7372

Lift capacity front and rear.

Lift capacity full circle.

- Notes:**
1. The above loads are in compliance with SAE and ISO Hydraulic Excavator Lift Capacity Standards.
 2. They do not exceed 87% of hydraulic lifting capacity or 75% of tipping load.
 3. Rated loads marked with an asterisk (*) are limited by hydraulic capacity rather than tipping load.



JCB TRACKED EXCAVATOR | JS 330 LC/NLC



LIFT CAPACITIES – Dipper length: 2.21m, Boom: 6.4m, Trackshoes: 600mm triple grouser.

JS330 LC T.A.B.

Load Point	Reach from Swing Centre														
	1.5m (4ft 11in)		3m (9ft 10in)		4.5m (14ft 9in)		6m (19ft 8in)		7.5m (24ft 7in)		9m (29ft 6in)		Max. Reach		
Ht.	kg	kg	kg	kg	kg	kg	kg	kg	kg	kg	kg	kg	kg	kg	mm
9m (29.6ft)					13110*	13110*							12530*	12530*	4961
7.5m (24.7ft)					12840*	12840*	10750*	9540					10230*	8040	6615
6m (19.8ft)					13760*	13760	10950*	9340	9310*	6480			9210*	6290	7630
4.5m (14.9ft)					15350*	13610	11510*	8880	9380*	6340			8060	5430	8250
3m (9.10ft)							11950*	8380	9170	6110			7490	5020	8562
1.5m (4.11ft)							11810*	8010	8940	5910			7340	4890	8600
0m							10850*	7830	8450*	5800			6900*	5040	8370
- 1.5m (- 4.11ft)					10340*	10340*	9000*	7840	6720*	5830			5920*	5530	7845

LIFT CAPACITIES – Dipper length: 2.63m, Boom: 6.4m, Trackshoes: 600mm triple grouser.

JS330 LC T.A.B.

Load Point	Reach from Swing Centre														
	1.5m (4ft 11in)		3m (9ft 10in)		4.5m (14ft 9in)		6m (19ft 8in)		7.5m (24ft 7in)		9m (29ft 6in)		Max. Reach		
Ht.	kg	kg	kg	kg	kg	kg	kg	kg	kg	kg	kg	kg	kg	kg	mm
9m (29.6ft)					12350*	12350*							9370*	9370*	5651
7.5m (24.7ft)					12280*	12280*	10340*	9730					8250*	7170	7144
6m (19.8ft)			13450*	13450*	13240*	13240*	10650*	9500	9080	6610			7830*	5770	8091
4.5m (14.9ft)					14880*	14000	11290*	9050	9250*	6430			7490	5060	8678
3m (9.10ft)							11860*	8530	9250	6190			7000	4700	8975
1.5m (4.11ft)							11930*	8100	9000	5960	6880	4600	6870	4590	9012
0m					14080*	11850	11210*	7870	8760*	5820			6650*	4710	8792
- 1.5m (- 4.11ft)					11580*	11580*	9640*	7820	7400*	5790			5830*	5110	8295
- 3m (- 9.10ft)							6970*	6970*					4910*	4910*	7294

Lift capacity front and rear.

Lift capacity full circle.

- Notes:**
1. The above loads are in compliance with SAE and ISO Hydraulic Excavator Lift Capacity Standards.
 2. They do not exceed 87% of hydraulic lifting capacity or 75% of tipping load.
 3. Rated loads marked with an asterisk (*) are limited by hydraulic capacity rather than tipping load.



JCB TRACKED EXCAVATOR | JS 330 LC/NLC



LIFT CAPACITIES – Dipper length: 3.23m, Boom: 6.4m, Trackshoes: 600mm triple grouser.

JS330 LC T.A.B.

Load Point	Reach from Swing Centre															
	1.5m (4ft 11in)		3m (9ft 10in)		4.5m (14ft 9in)		6m (19ft 8in)		7.5m (24ft 7in)		9m (29ft 6in)		Max. Reach			
Ht.	kg	kg	kg	kg	kg	kg	kg	kg	kg	kg	kg	kg	kg	kg	mm	
10.5m (34.4ft)														7730*	7730*	4363
9m (29.6ft)							8370*	8370*						6020*	6020*	6545
7.5m (24.7ft)							9590*	9590*	7520*	6780				5380*	5380*	7867
6m (19.8ft)					10200*	10200*	10090*	9660	8680*	6720				5110*	5110	8735
4.5m (14.9ft)					14000*	14000*	10800*	9190	8950*	6500	7120	4810		5040*	4550	9280
3m (9.10ft)					15690*	13100	11530*	8630	9230*	6210	6990	4690		5120*	4250	9558
1.5m (4.11ft)					16140*	12180	11860*	8140	8990	5950	6850	4570		5360*	4150	9593
0m					15060*	11790	11480*	7830	8790	5760	6760	4480		5810*	4230	9387
- 1.5m (- 4.11ft)			10470*	10470*	12930*	11740	10270*	7710	7970*	5680				5580	4540	8924
- 3m (- 9.10ft)					9840*	9840*	8080*	7770	5940*	5750				4530*	4530*	8158

LIFT CAPACITIES – Dipper length: 4.0m, Boom: 6.4m, Trackshoes: 600mm triple grouser.

JS330 LC T.A.B.

Load Point	Reach from Swing Centre															
	1.5m (4ft 11in)		3m (9ft 10in)		4.5m (14ft 9in)		6m (19ft 8in)		7.5m (24ft 7in)		9m (29ft 6in)		Max. Reach			
Ht.	kg	kg	kg	kg	kg	kg	kg	kg	kg	kg	kg	kg	kg	kg	mm	
10.5m (34.4ft)														5640*	5640*	5840
9m (29.6ft)							7520*	7520*	5230*	5230*				4740*	4740*	7602
7.5m (24.7ft)							7530*	7530*	7280*	6950				4340*	4340*	8763
6m (19.8ft)							7980*	7980*	8040*	6830	6430*	4940		4170*	4170	9549
4.5m (14.9ft)			10030*	10030*	10160*	10160*	9940*	9420	8420*	6580	7160	4840		4130*	3930	10049
3m (9.10ft)					14640*	13610	10920*	8790	8820*	6250	6980	4670		4210*	3690	10306
1.5m (4.11ft)					15820*	12390	11530*	8190	8990	5930	6800	4500		4400*	3600	10338
0m					15590*	11710	11540*	7760	8710	5670	6640	4350		4750*	3650	10147
- 1.5m (- 4.11ft)			9920*	9920*	14120*	11460	10780*	7540	8380*	5520	6400*	4290		5230*	3870	9721
- 3m (- 9.10ft)			14100*	14100*	11610*	11500	9140*	7500	7010*	5500	4560*	4340		4500*	4330	9025
- 4.5m (- 14.9ft)							6360*	6360*						4510*	4510*	7372

Lift capacity front and rear.

Lift capacity full circle.

- Notes:**
1. The above loads are in compliance with SAE and ISO Hydraulic Excavator Lift Capacity Standards.
 2. They do not exceed 87% of hydraulic lifting capacity or 75% of tipping load.
 3. Rated loads marked with an asterisk (*) are limited by hydraulic capacity rather than tipping load.



A GLOBAL COMMITMENT TO QUALITY

JCB's total commitment to its products and customers has helped it grow from a one-man business into Britain's largest privately owned manufacturer of backhoe loaders, crawler excavators, wheeled excavators, telescopic handlers, wheeled loaders, dump trucks, rough terrain fork lifts, industrial fork lifts, mini/midi excavators, skid steer loaders, tractors and compaction equipment.

By making constant and massive investments in the latest production technology, the JCB factories have become some of the most advanced in the world.

By leading the field in innovative research and design, extensive testing and stringent quality control, JCB machines have become renowned all over the world for performance, value and reliability.

And with a global sales and service network of more than 650 dealers and agents, we aim to deliver the best customer support in the industry.

Through setting the standards by which others are judged, JCB has become one of the world's most impressive success stories.

