



# JCB TRACKED EXCAVATOR | JZ 255 NC/LC

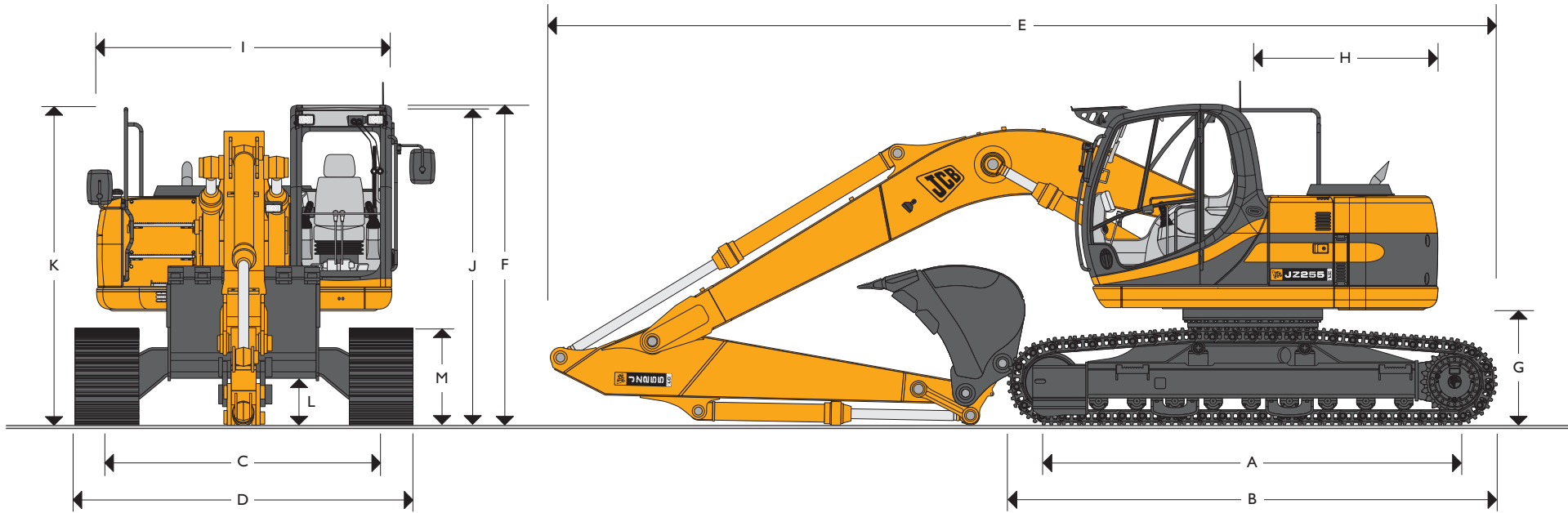


MAX. OPERATING WEIGHT

24420 kg (53724 lb)

NETT ENGINE POWER

128 kW (171.7 hp)



## STATIC DIMENSIONS – JZ255 NC/LC MONOBOOM

Dimensions in millimetres (ft-in)	NC	LC
<b>A</b> Track length on ground	3840 (12-7)	3840 (12-7)
<b>B</b> Undercarriage overall length	4640 (15-3)	4640 (15-3)
<b>C</b> Track gauge	2390 (7-10)	2590 (8-6)
<b>D</b> Width over tracks (600 shoes)	2990 (9-10)	3190 (10-6)
<b>D</b> Width over tracks (700 shoes)	3090 (10-2)	3290 (10-9)
<b>D</b> Width over tracks (800 shoes)	3190 (10-6)	3390 (11-1)
<b>D</b> Width over tracks (900 shoes)	3290 (10-9)	3490 (11-5)

Dipper lengths	1.91m (6ft 3in)	2.4m (7ft 10in)	3.0m (9ft 10in)
<b>Dimensions in mm (ft-in)</b>			
<b>E</b> Transport length with Monoboom	9080 (29-9)	9070 (29-9)	8950 (29-4)
<b>F</b> Transport height with Monoboom	3060 (10-0)	3060 (10-0)	3060 (10-0)

Dimensions in millimetres (ft-in)	
<b>G</b> Counterweight clearance	1140 (3-9)
<b>H</b> Tailswing radius	1680 (5-6)
<b>I</b> Width of superstructure	2787 (9-2)
<b>J</b> Height over cab	3060 (10-0)
<b>K</b> Height over grabrail	3030 (9-11)
<b>L</b> Ground clearance	486 (1-7)
<b>M</b> Track height	940 (3-1)



# JCB TRACKED EXCAVATOR | JZ 255 NC/LC

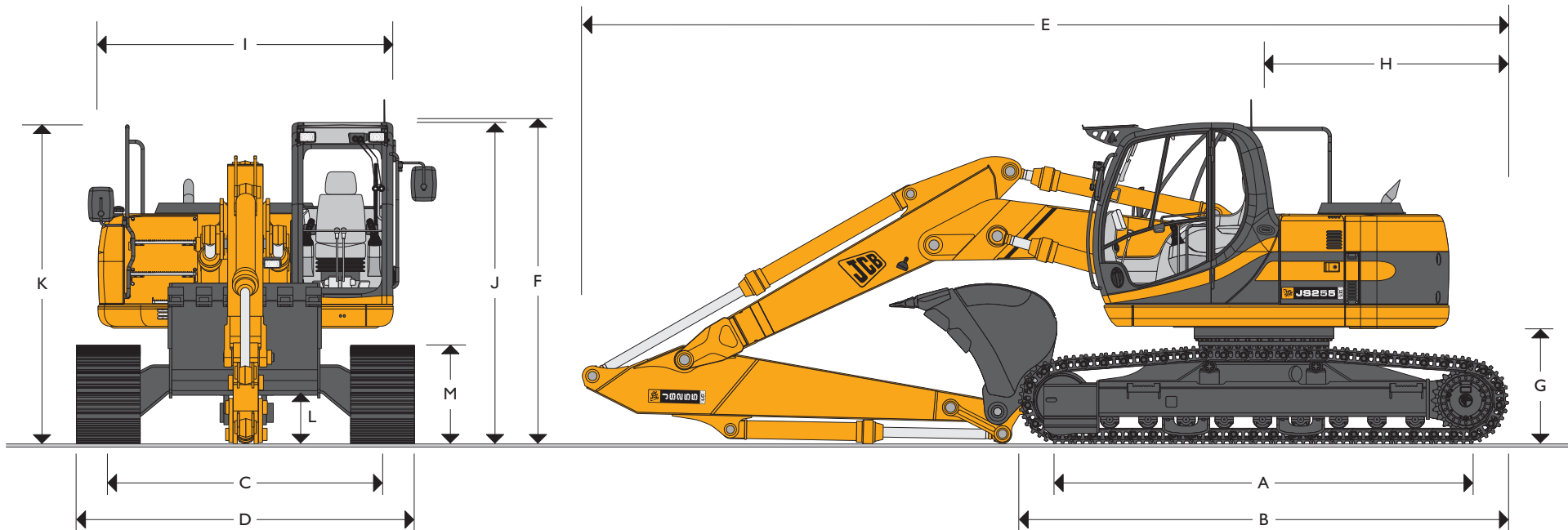


MAX. OPERATING WEIGHT

24890 kg (54758 lb)

NETT ENGINE POWER

128 kW (171.7 hp)



## STATIC DIMENSIONS – JZ255 NC/LC T.A.B.

Dimensions in millimetres (ft-in)	NC	LC
<b>A</b> Track length on ground	3840 (12-7)	3840 (12-7)
<b>B</b> Undercarriage overall length	4640 (15-3)	4640 (15-3)
<b>C</b> Track gauge	2390 (7-10)	2590 (8-6)
<b>D</b> Width over tracks (600 shoes)	2990 (9-10)	3190 (10-6)
<b>D</b> Width over tracks (700 shoes)	3090 (10-2)	3290 (10-9)
<b>D</b> Width over tracks (800 shoes)	3190 (10-6)	3390 (11-1)
<b>D</b> Width over tracks (900 shoes)	3290 (10-9)	3490 (11-5)

Dipper lengths	1.91 m (6ft 3in)	2.4m (7ft 10in)	3.0m (9ft 10in)
<b>E</b> Transport length	9090 (29-9)	9080 (29-9)	8970 (29-5)
<b>F</b> Transport height	3060 (10-0)	3060 (10-0)	3060 (10-0)

Dimensions in millimetres (ft-in)	
<b>G</b> Counterweight clearance	1080 (3-7)
<b>H</b> Tailswing radius	1680 (5-6)
<b>I</b> Width of superstructure	2787 (9-2)
<b>J</b> Height over cab	3060 (10-0)
<b>K</b> Height over grabrail	3030 (9-11)
<b>L</b> Ground clearance	486 (1-7)
<b>M</b> Track height	940 (3-1)



# JCB TRACKED EXCAVATOR | JZ 255 NC/LC



## ENGINE

<b>Model</b>	Isuzu 4HK1 European Tier III emissions compliant.
<b>Type</b>	Water cooled, 4-stroke, 4-cylinder in-line, common rail turbocharged diesel.
<b>Nett power (ISO 3046-1NF)</b>	128kW (171.7hp) at 2000rpm.
<b>Piston Displacement</b>	5.193 litres (317 cu.in.).
<b>Injection</b>	Electronic governor.
<b>Air Filtration</b>	Dry element with secondary safety element and in cab warning indicator.
<b>Cooling</b>	Water cooler via large capacity radiator.
<b>Starting system</b>	24 volt – 4.5kW.
<b>Batteries</b>	2 x 12 volt Heavy Duty.
<b>Alternator</b>	24 volt 40 amp.
<b>Refuelling pump</b>	Electric type.

## SWING SYSTEM

<b>Swing motor</b>	Axial piston.
<b>Swing brake</b>	Hydraulic braking plus automatic spring applied disc type parking brake.
<b>Final drive</b>	Planetary reduction.
<b>Swing speed</b>	9.8rpm.
<b>Swing gear</b>	Large diameter; internally toothed fully sealed grease bath lubricated.
<b>Swing lock</b>	Switchable brake in cab.

## UNDERCARRIAGE

<b>Carriage options</b>	LC-Long Carriage.
<b>Construction</b>	Fully welded, "X" frame type with central bellyguarding and track motor guards. Sloping sidemembers with dirt relief holes under top rollers.
<b>Recovery point</b>	Front and rear.
<b>Track type</b>	Sealed and greased.
<b>Track shoe options</b>	NC – 600mm (24in), 700mm (28in), 800mm (31.5in), 900mm (36in). LC – 600mm (24in), 700mm (28in), 800mm (31.5in), 900mm (36in).
<b>Upper &amp; lower rollers</b>	Heat treated, sealed and lubricated.
<b>Track adjustment</b>	Grease cylinder type.
<b>Track idler</b>	Sealed and lubricated, with spring cushioned recoil.
<b>NC &amp; LC</b>	
<b>No. of track guides</b>	2 per side
<b>No. of lower rollers</b>	9 per side
<b>No. of upper rollers</b>	2 per side
<b>No. of track shoes</b>	51 per side

## HYDRAULICS

A variable flow load sensing system with flow on demand, variable power output and servo operated, multi-function open centre control. Machine auto warm up standard – maximises performance in cold conditions.

### Pumps

<b>Main pumps</b>	2 variable displacement axial piston type.
<b>Maximum flow</b>	2 x 208 L/min (2 x 46 UK GPM).
<b>Servo pump</b>	Gear type.
<b>Maximum flow</b>	20 L/min (4.4 UK GPM).
<b>Fan drive</b>	Gear type.

### Control valve

A combined four and five spool control valve with auxiliary service spool as standard. When required twin pump flow is combined to boom and dipper services for greater speed and efficiency.

### Relief valve settings

<b>Boom/Arm/Bucket</b>	343 bar (4975 lbf/sq.in)
<b>Automatic power boost</b>	373 bar (5410 lbf/sq.in)
<b>Swing circuit</b>	225 bar (3263 lbf/sq.in)
<b>Travel circuit</b>	343 bar (4975 lbf/sq.in)
<b>Pilot control</b>	40 bar (580 lbf/sq.in)

A separate Cushion Control valve in the servo system provides cushioning of the boom and dipper spools selection and quick warm-up of the servo system.

### Hydraulic cylinders

Double acting type, with bolt-up end caps and hardened steel bearing bushes. End cushioning is fitted as standard on boom, dipper and bucket rams.

Optional hose burst check valves available for boom and dipper rams.

### Filtration

The hydraulic components are protected by the highest standard of filtration to ensure long hydraulic fluid and component life.

<b>In tank</b>	150 micron, suction strainer.
<b>Main return line</b>	10 micron, fibreform element.
<b>Plexus Bypass line</b>	1.5 micron, paper element.
<b>Pilot line</b>	10 micron, paper element.
<b>Hydraulic hammer return</b>	10 micron, reinforced microform element.

### Cooling

Cooling is provided via a full return line air blast cooler as part of a single face cooling pack in conjunction with the engine water cooler and intercooler.

## TRACK DRIVE

<b>Type</b>	Fully hydrostatic, three speed with autoshift between high and medium speed.
<b>Travel motors</b>	Variable swash axial piston type, fully guarded within undercarriage frame.
<b>Final drive</b>	Planetary reduction, bolt-on sprockets.
<b>Service brake</b>	Hydraulic counter balance valve to prevent overspeeding on gradients.
<b>Park brake</b>	Disc type, spring applied, automatic hydraulic release.
<b>Gradeability</b>	70% (35 deg) continuous.
<b>Travel speed</b>	High – 5.6 km/h (3.4 mph). Mid – 3.3 km/h (2.1 mph). Low – 2.3 km/h (1.4 mph).
<b>Tractive effort</b>	197.1kN (20099 kgf, 44311 lbf).



# JCB TRACKED EXCAVATOR | JZ 255 NC/LC



## EXCAVATOR END – MONOBOOM

Monoboom available along with a choice of dipper lengths to suit the requirements of reach, dig-depth, loadover height, tearouts and site versatility. Reserve strength is built into the fully welded structures for hydraulic hammer and other arduous operations. Fabricated bucket tipping links are provided with a choice of lift points. Strong, durable construction, large cross sections and multi plate fabrications to withstand high stress applications. The 5.7m (18ft 8in) boom is designed to ensure the optimum digging envelope when matched with the three dipper lengths. Low maintenance bronze alloy bushes with graphite plugs are fitted to boom base and boom to dipper pivots resulting in 1000 hour greasing intervals at these points.

## EXCAVATOR END – T.A.B.

Triple articulated boom available along with a choice of dipper lengths to suit the requirements of reach, dig-depth, loadover height, tearouts and site versatility. Reserve strength is built into the fully welded structures for hydraulic hammer and other arduous operations. Fabricated bucket tipping links are provided with a choice of lift points. Strong, durable construction, large cross sections and multi plate fabrications to withstand high stress applications. The boom is designed to ensure the optimum digging envelope when matched with the three dipper lengths.

## CAB

Excellent digging, loading and positioning visibility results from the careful design of front, side and roof lights. All screens are tinted to improve in cab conditions. Fully opening front screen is very smooth to operate and as the lower screen is stored within the top screen frame it makes complete front screen opening easy, fast and convenient. Fresh air ventilation available from opening door window, opening slot in front screen and fully opening front screen. Parallelogram wash wiper for upper screen ensuring good wiped area for maximum visibility. Wiper motor is fitted in the left hand side of the roof screen so as not to affect bucket visibility when loading. Optional lower screen wiper available. Fresh air ventilation and heater with windscreen demister. Infinitely variable blower speed, temperature and recirculation control. Optional climate control. Fully adjustable deluxe suspension seat with arm rest adjustment and backrest recline. Radio with digital tuner fitted into the roof lining for maximum protection. Conveniently placed radio mute button incorporated into lower console. 12v power point and mobile phone holder built into the right hand console. Courtesy light can be operated from ground level and is illuminated for five minutes or until switched off improving operator access at night. Cab mounted roller blind protects operator from suns' glare through front or top screens.

## AMS – ADVANCED MANAGEMENT SYSTEM

Four selectable working modes link the operators control movements with the engine and hydraulic systems to maximise productivity and efficiency.

### A (Auto)

Up to 100% engine power and 100% flow. Gives variable power and speed depending on the operator's input, matching the demand for output and efficiency to the job. Power boost is automatically activated in this mode should hard conditions be encountered. Auto idle cuts in after a period of inactivity (between 5 and 30 seconds as set by the operator)

### E (Economy)

80% engine power. 95% of hydraulic flow maximises economy while maintaining excellent output.

### P (Precision)

55% engine power. 90% of hydraulic flow for fine control of grading operations.

### L (Lifting)

55% engine power. 63% of hydraulic flow with permanent power boost for maximum lifting power and control.

The Auto mode allows the AMS processor to select the optimum operational performance to match the demands of the job while the three alternative modes give precise matching of application when specific tasks are undertaken.

The adjustable position monitor mounted on the front right hand pillar of the cab gives the operator a constant read out of mode, tracking range, operating temperature and a host of other information, while retaining excellent visibility of the monitor and the job being carried out.

The required flow for hammer applications can be set and stored in the AMS memory and is automatically activated whenever the hammer pedal is depressed.

A maintenance indicator warns of imminent service needs, and all servicing and basic checks can be carried out using only the in cab display.

## CONTROLS

### Excavator

All servo lever operated to ISO control pattern, independently adjustable to the seat.

### Tracks

Individually servo operated by foot pedal or hand lever.

Speed selection via joystick button.

### Auxiliary

Via servo operated foot pedal.

### Control isolation

Via gate lock lever at cab entrance or panel switch.

### Engine speed

Dial type throttle control plus servo lever mounted one-touch idle control or separate selectable auto-idle with adjustable time delay using AMS.

### Engine stop

Ignition key operated and separate shut-down button.

### Horn

Operated via servo lever mounted button.



# JCB TRACKED EXCAVATOR | JZ 255 NC/LC



## SERVICE CAPACITIES

Fuel tank	litres (UK gal)	290 (63.8)
Engine coolant	litres (UK gal)	31.8 (7.0)
Engine oil	litres (UK gal)	25.0 (5.5)
Swing reduction gear	litres (UK gal)	12.0 (2.6)
Track reduction gear (each side)	litres (UK gal)	4.7 (1.0)
Hydraulic system	litres (UK gal)	200 (44)
Hydraulic tank	litres (UK gal)	120 (26.4)

## WEIGHTS AND GROUND BEARING PRESSURES

**JZ255 NC** – equipped with 1.14m<sup>3</sup> bucket (760kg (1675lb), operator, full fuel tank, 600mm track shoes and 2.4m dipper.

Shoe Width	Operating Weight	Bearing Pressure
600mm (24in.)	22978kg (50658lb)	0.46kg/sq. cm. (6.54lb/sq. in.)
700mm (28in.)	23258kg (51275lb)	0.40kg/sq. cm. (5.69lb/sq. in.)
800mm (31in.)	23538kg (51892lb)	0.35kg/sq. cm. (4.98lb/sq. in.)
900mm (35in.)	23818kg (52510lb)	0.32kg/sq. cm. (4.55lb/sq. in.)

**JZ235 LC** – equipped with 1.14m<sup>3</sup> bucket (760kg (1675lb), operator, full fuel tank, 600mm track shoes and 2.4m dipper.

Shoe Width	Operating Weight	Bearing Pressure
600mm (24in.)	23053kg (50823lb)	0.46kg/sq. cm. (6.54lb/sq. in.)
700mm (28in.)	23333kg (51440lb)	0.40kg/sq. cm. (5.69lb/sq. in.)
800mm (31in.)	23613kg (52058lb)	0.35kg/sq. cm. (4.98lb/sq. in.)
900mm (35in.)	23893kg (52675lb)	0.32kg/sq. cm. (4.55lb/sq. in.)

**JZ235 NC T.A.B.** – equipped with 1.14m<sup>3</sup> bucket (760kg (1675lb), operator, full fuel tank, 600mm track shoes and 2.4m dipper.

Shoe Width	Operating Weight	Bearing Pressure
600mm (24in.)	23444kg (51685lb)	0.47kg/sq. cm. (6.83lb/sq. in.)
700mm (28in.)	23724kg (52302lb)	0.41kg/sq. cm. (5.83lb/sq. in.)
800mm (31in.)	24004kg (52920lb)	0.36kg/sq. cm. (5.12lb/sq. in.)
900mm (35in.)	24284kg (53537lb)	0.33kg/sq. cm. (4.69lb/sq. in.)

**JZ235 LC T.A.B.** – equipped with 1.14m<sup>3</sup> bucket (760kg (1675lb), operator, full fuel tank, 600mm track shoes and 2.4m dipper.

Shoe Width	Operating Weight	Bearing Pressure
600mm (24in.)	23519kg (51851lb)	0.47kg/sq. cm. (6.83lb/sq. in.)
700mm (28in.)	23799kg (52468lb)	0.41kg/sq. cm. (5.83lb/sq. in.)
800mm (31in.)	24079kg (53085lb)	0.36kg/sq. cm. (5.12lb/sq. in.)
900mm (35in.)	24359kg (53702lb)	0.33kg/sq. cm. (4.69lb/sq. in.)

## STANDARD / OPTIONAL EQUIPMENT

**Standard Equipment:** Engine fan guard; Cold start pre-heat; Auto engine warm up; Double element air cleaner; Electric refuelling pump; Heavy duty alternator; Electrics isolator; Heavy duty batteries; Cab & engine soundproofing; Cab heater & screen demister; Tinted glass; Interior light; Coat hook; Cigarette lighter; Ashtray; Operator's storage shelf; Removable floormat; Windscreen wash/wipe; Plug-in power socket; Automatic power boost; Auto-idle; One-touch engine speed control; Hydraulic cushion control; Boom/swing priority switch; Plexus hydraulic oil filtration; HSP pressure test points; Auxiliary pipework mounting brackets; Work lights – boom & mainframe mounted; Undercarriage belly guarding; Upper structure under covers; Swing system cover; Twin track guides; External mirrors; Handrail & non slip walk ways; Quick connect engine oil drain pipe; Front screen blind; Quick connect fuel tank drain pipe; Hinged engine under cover.

**Optional Equipment:** Hose burst check valves & overload warning system; Tipping link mounted lift points; General purpose buckets; Ditch/grading buckets; Quickhitch buckets; Hydraulic hammers; Auxiliary pipework (full and low flow); Climate control; Cab mounted & rear work lights; Rotating beacon; Rain guard; Biodegradeable oil; Air suspension seat with heated pad and lumbar support adjustment; lower screen wiper; Radio.



# JCB TRACKED EXCAVATOR | JZ 255 NC/LC



## WORKING RANGE – JZ255 NC/LC MONOBOOM

Boom length 5.70m (18ft 8in)		1.91m (6ft 3in)	2.40m (7ft 10in)	3.00m (9ft 10in)
<b>Dipper length</b>				
A	Maximum digging reach	m (ft-in) 9.02 (29-7)	9.47 (31-1)	9.88 (32-5)
B	Maximum digging reach (on ground)	m (ft-in) 8.79 (28-10)	9.24 (30-4)	9.67 (31-9)
C	Maximum digging depth	m (ft-in) 5.65 (18-6)	6.14 (20-2)	6.63 (21-9)
D	Maximum digging height	m (ft-in) 10.42 (34-2)	10.76 (35-4)	11.02 (36-2)
E	Maximum dumping height	m (ft-in) 7.56 (24-10)	7.91 (25-11)	8.19 (26-10)
F	Maximum vertical wall cut depth	m (ft-in) 4.18 (13-9)	4.63 (15-2)	5.93 (19-5)
G	Minimum swing radius	m (ft-in) 2.33 (7-6)	2.37 (7-9)	2.10 (6-11)
	Bucket rotation	deg. 183°	183°	183°
	Dipper tearout (ISO 6015)	kgf (lbf) 13450 (29650)	11560 (25485)	9590 (21142)
	Dipper tearout with boost (ISO 6015)	kgf (lbf) 14610 (32210)	12550 (27670)	10410 (22950)
	Bucket tearout (ISO 6015)	kgf (lbf) 14550 (32080)	14550 (32080)	14550 (32080)
	Bucket tearout with boost (ISO 6015)	kgf (lbf) 15800 (34835)	15800 (34835)	15800 (34835)

## STANDARD EXCAVATING BUCKETS

Standard excavating buckets are fully welded, heavy duty steel with hardened and sealed pivot pins.

Mono Boom length: 5.70m (18ft 8in)								
Bucket width	mm (in)	600 (24)	900 (35)	1000 (39)	1200 (47)	1350 (53)	1450 (57)	1500 (59)
Bucket capacity	m³ (yd³)	0.4 (0.5)	0.7 (0.9)	0.8 (1.0)	1.025 (1.3)	1.045 (1.4)	1.14 (1.5)	1.18 (2.35)
Bucket weight	kg (lb)	471 (1038)	583 (1285)	616 (1358)	695 (1532)	715 (1576)	760 (1676)	776 (1711)
Dipper length								
JZ255NC	1.91m (6ft 3in)	○	○	○	○	○	○	○
JZ255NC	2.40m (7ft 10in)	○	○	○	○	○	○	●
JZ255NC	3.00m (9ft 10in)	○	○	○	○	●	●	■
JZ255LC	1.91m (6ft 3in)	○	○	○	○	○	○	○
JZ255LC	2.40m (7ft 10in)	○	○	○	○	○	○	○
JZ255LC	3.00m (9ft 10in)	○	○	○	○	○	○	●

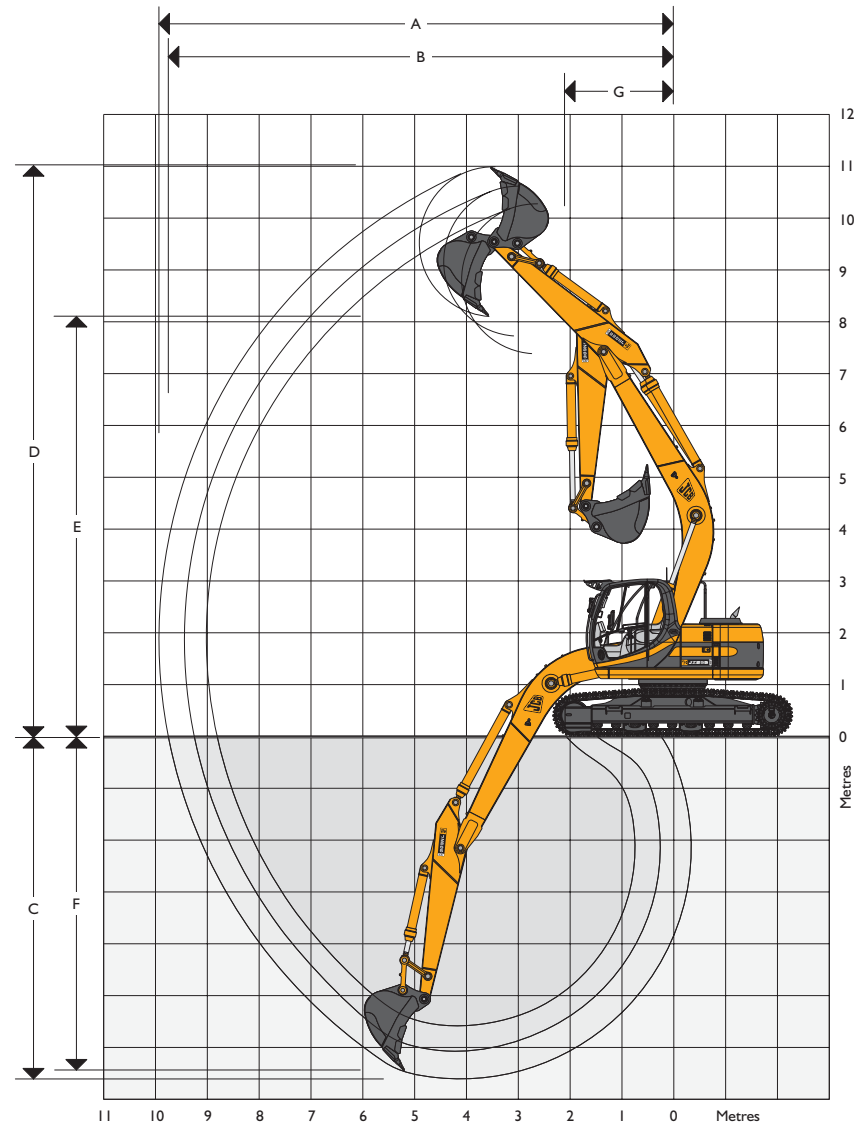
○ Material weight up to 1800kg/m³ (1.35t/yd³)

● Material weight up to 1500kg/m³ (1.1t/yd³)

■ Material weight up to 1200kg/m³ (0.90t/yd³)

These recommendations are given as a guide based on typical operating conditions.

Please contact your distributor for the correct selection of buckets and attachments to suit the application.





# JCB TRACKED EXCAVATOR | JZ 255 NC/LC



## WORKING RANGE – JZ255 NC/LC T.A.B.

Boom length 5.70m (18ft 8in)		1.91m (6ft 3in)	2.40m (7ft 10in)	3.00m (9ft 10in)
<b>Dipper length</b>				
A	Maximum digging reach	m (ft-in) 9.05 (29-8)	9.50 (31-2)	9.92 (32-7)
B	Maximum digging reach (on ground)	m (ft-in) 8.80 (28-10)	9.28 (30-5)	9.72 (31-11)
C	Maximum digging depth	m (ft-in) 5.07 (16-8)	5.57 (18-3)	6.05 (19-10)
D	Maximum digging height	m (ft-in) 10.40 (34-1)	10.75 (35-3)	11.01 (36-1)
E	Maximum dumping height	m (ft-in) 7.55 (24-9)	7.91 (25-11)	8.18 (26-10)
F	Maximum vertical wall cut depth	m (ft-in) 3.29 (10-10)	3.72 (12-2)	5.07 (16-8)
G	Minimum swing radius	m (ft-in) 2.38 (7-10)	2.41 (7-11)	2.10 (6-10)
	Bucket rotation	deg. 183°	183°	183°
	Dipper tearout (ISO 6015)	kgf (lbf) 13450 (29650)	11560 (25485)	9590 (21142)
	Dipper tearout with boost (ISO 6015)	kgf (lbf) 14610 (32210)	12550 (27670)	10410 (22950)
	Bucket tearout (ISO 6015)	kgf (lbf) 14550 (32080)	14550 (32080)	14550 (32080)
	Bucket tearout with boost (ISO 6015)	kgf (lbf) 15800 (34835)	15800 (34835)	15800 (34835)

## STANDARD EXCAVATING BUCKETS

Standard excavating buckets are fully welded, heavy duty steel with hardened and sealed pivot pins.

TAB length: 5.70m (18ft 8in)		600 (24)	900 (35)	1000 (39)	1200 (47)	1350 (53)	1450 (57)	1500 (59)
Bucket width	mm (in)	600 (24)	900 (35)	1000 (39)	1200 (47)	1350 (53)	1450 (57)	1500 (59)
Bucket capacity	m³ (yd³)	0.4 (0.5)	0.7 (0.9)	0.8 (1.0)	1.025 (1.3)	1.045 (1.4)	1.14 (1.5)	1.18 (2.35)
Bucket weight	kg (lb)	471 (1038)	583 (1285)	616 (1358)	695 (1532)	715 (1576)	760 (1676)	776 (1711)
<b>Dipper length</b>								
JZ255NC	1.91m (6ft 3in)	○	○	○	○	○	○	○
JZ255NC	2.40m (7ft 10in)	○	○	○	○	○	○	○
JZ255NC	3.00m (9ft 10in)	○	○	○	●	●	■	■
JZ255LC	1.91m (6ft 3in)	○	○	○	○	○	○	○
JZ255LC	2.40m (7ft 10in)	○	○	○	○	○	○	●
JZ255LC	3.00m (9ft 10in)	○	○	○	●	●	■	■

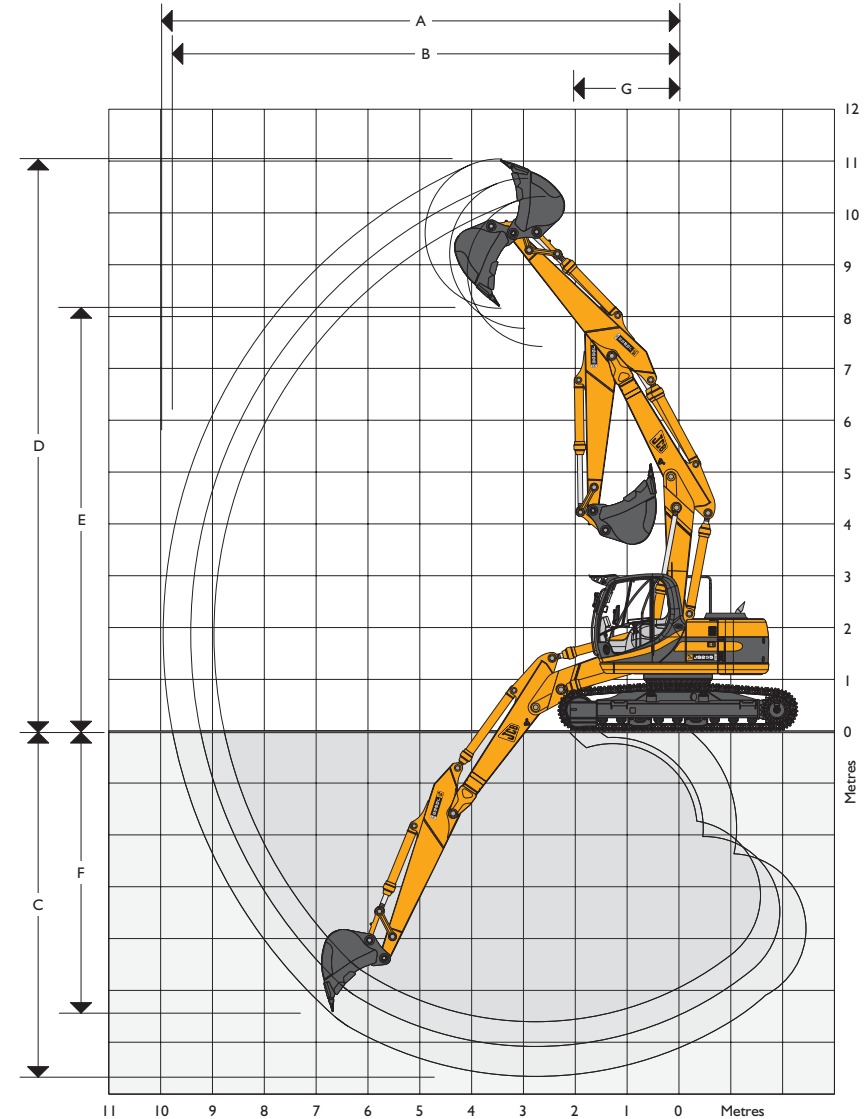
○ Material weight up to 1800kg/m³ (1.35t/yd³)

● Material weight up to 1500kg/m³ (1.1t/yd³)

■ Material weight up to 1200kg/m³ (0.90t/yd³)

These recommendations are given as a guide based on typical operating conditions.

Please contact your distributor for the correct selection of buckets and attachments to suit the application.





# JCB TRACKED EXCAVATOR | JZ 255 NC/LC



## LIFT CAPACITIES – Dipper length: 1.9m, Monoboam: 5.7m, Trackshoes: 600mm, No bucket.

### JZ255 NC MONO

Reach	1.5m (4ft 11in)		3m (9ft 10in)		4.5m (14ft 9in)		6m (19ft 8in)		7.5m (24ft 7in)		Max. Reach		Max. Reach mm	
Load Point Ht.	kg	kg	kg	kg	kg	kg	kg	kg	kg	kg	kg	kg		
7.5m (24.7ft)					7720*	7560						6380*	6380*	4779
6.0m (19.8ft)			9840*	9840*	7880*	7470	6970*	4710				5920*	4550	6129
4.5m (14.9ft)					9000*	7080	7280*	4600				5910	3700	6907
3.0m (9.10ft)					10380*	6580	7740	4410				5710	3320	7301
1.5m (4.11ft)					11000*	6230	7530	4230				5550	3200	7372
0m					10590*	6120	7420	4130				5780	3300	7131
- 1.5m (- 4.11ft)			10980*	10980*	9420*	6150	7190*	4140				6340*	3710	6543
- 3.0m (- 9.10ft)			8600*	8600*	7240*	6310						5740*	4790	5495

## LIFT CAPACITIES – Dipper length: 2.4m, Monoboam: 5.7m, Trackshoes: 600mm, No bucket.

### JZ255 NC MONO

Reach	1.5m (4ft 11in)		3m (9ft 10in)		4.5m (14ft 9in)		6m (19ft 8in)		7.5m (24ft 7in)		Max. Reach		Max. Reach mm	
Load Point Ht.	kg	kg	kg	kg	kg	kg	kg	kg	kg	kg	kg	kg		
7.5m (24.7ft)					6970*	6970*						5370*	5350	5599
6.0m (19.8ft)					7280*	7280*	6540*	4800				4950*	3910	6786
4.5m (14.9ft)			11950*	11950*	8430*	7220	6940*	4660				4850*	3280	7496
3.0m (9.10ft)					9930*	6710	7560*	4450	5510	3210		4990*	2990	7859
1.5m (4.11ft)					10890*	6310	7560	4250	5410	3120		4990	2890	7926
0m					10850*	6140	7420	4130	5350	3070		5160	2960	7702
- 1.5m (- 4.11ft)			11800*	11800*	9950*	6120	7380	4100				5720	3260	7161
- 3.0m (- 9.10ft)			10270*	10270*	8140*	6220	5900*	4180				5470*	4000	6220
- 4.5m (- 14.9ft)					4340*	4340*						4320*	4320*	4507

## LIFT CAPACITIES – Dipper length: 3.0m, Monoboam: 5.7m, Trackshoes: 600mm, No bucket.

### JZ255 NC MONO

Reach	1.5m (4ft 11in)		3m (9ft 10in)		4.5m (14ft 9in)		6m (19ft 8in)		7.5m (24ft 7in)		Max. Reach		Max. Reach mm	
Load Point Ht.	kg	kg	kg	kg	kg	kg	kg	kg	kg	kg	kg	kg		
9.0m (29.5ft)					4300*	4300*						4110*	4110*	4559
7.5m (24.7ft)					5810*	5810*	4520*	4520*				3460*	3460*	6330
6.0m (19.8ft)					6170*	6170*	5900*	4810				3230*	3230*	7400
4.5m (14.9ft)			9710*	9710*	7580*	7310	6390*	4650	5300*	3250		3180*	2880	8055
3.0m (9.10ft)			11210*	11210*	9180*	6780	7100*	4420	5460	3150		3260*	2630	8395
1.5m (4.11ft)					10460*	6310	7520	4200	5340	3040		3480*	2540	8457
0m			6880*	6880*	10830*	6050	7330	4040	5250	2960		3880*	2590	8247
- 1.5m (- 4.11ft)	6890*	6890*	11190*	11190*	10300*	5970	7250	3970	5220	2930		4590*	2810	7745
- 3.0m (- 9.10ft)	11480*	11480*	11880*	11750	8890*	6020	6630*	4000				5290*	3340	6885
- 4.5m (- 14.9ft)			8060*	8060*	6150*	6150*						4570*	4570*	5500

Lift capacity front and rear. 
 Lift capacity full circle. 
 **Notes:** 1. The above loads are in compliance with SAE and ISO Hydraulic Excavator Lift Capacity Standards. 2. They do not exceed 87% of hydraulic lifting capacity or 75% of tipping load. 3. Rated loads marked with an asterisk (\*) are limited by hydraulic capacity rather than tipping load.



# JCB TRACKED EXCAVATOR | JZ 255 NC/LC



## LIFT CAPACITIES – Dipper length: 1.9m, Monoboam: 5.7m, Trackshoes: 600mm, No bucket.

### JZ255 LC MONO

Reach	1.5m (4ft 11in)		3m (9ft 10in)		4.5m (14ft 9in)		6m (19ft 8in)		7.5m (24ft 7in)		Max. Reach		Max. Reach mm	
Load Point Ht.	kg	kg	kg	kg	kg	kg	kg	kg	kg	kg	kg	kg		
7.5m (24.7ft)					7720*	7720*						6380*	6380*	4779
6.0m (19.8ft)			9840*	9840*	7880*	7880*	6970*	5190				5920*	5000	6129
4.5m (14.9ft)					9000*	7860	7280*	5070				5910*	4080	6907
3.0m (9.10ft)					10380*	7340	7760	4870				5730	3670	7301
1.5m (4.11ft)					11000*	6980	7560	4690				5570	3540	7372
0m					10590*	6870	7450	4600				5800	3660	7131
- 1.5m (- 4.11ft)			10980*	10980*	9420*	6910	7190*	4600				6340	4120	6543
- 3.0m (- 9.10ft)			8600*	8600*	7240*	7060						5740*	5330	5495

## LIFT CAPACITIES – Dipper length: 2.4m, Monoboam: 5.7m, Trackshoes: 600mm, No bucket.

### JZ255 LC MONO

Reach	1.5m (4ft 11in)		3m (9ft 10in)		4.5m (14ft 9in)		6m (19ft 8in)		7.5m (24ft 7in)		Max. Reach		Max. Reach mm	
Load Point Ht.	kg	kg	kg	kg	kg	kg	kg	kg	kg	kg	kg	kg		
7.5m (24.7ft)					6970*	6970*						5370*	5370*	5599
6.0m (19.8ft)					7280*	7280*	6540*	5280				4950*	4300	6786
4.5m (14.9ft)			11950*	11950*	8430*	8000	6940*	5130				4850*	3620	7496
3.0m (9.10ft)					9930*	7480	7560*	4920	5530	3540		4990*	3300	7859
1.5m (4.11ft)					10890*	7070	7590	4720	5430	3460		5010	3200	7926
0m					10850*	6890	7440	4590	5370	3400		5170	3280	7702
- 1.5m (- 4.11ft)			11800*	11800*	9950*	6870	7410	4560				5740	3620	7161
- 3.0m (- 9.10ft)			10270*	10270*	8140*	6970	5900*	4650				5470*	4440	6220
- 4.5m (- 14.9ft)					4340*	4340*						4320*	4320	4507

## LIFT CAPACITIES – Dipper length: 3.0m, Monoboam: 5.7m, Trackshoes: 600mm, No bucket.

### JZ255 LC MONO

Reach	1.5m (4ft 11in)		3m (9ft 10in)		4.5m (14ft 9in)		6m (19ft 8in)		7.5m (24ft 7in)		Max. Reach		Max. Reach mm	
Load Point Ht.	kg	kg	kg	kg	kg	kg	kg	kg	kg	kg	kg	kg		
9.0m (29.5ft)					4300*	4300*						4110*	4110*	4559
7.5m (24.7ft)					5810*	5810*	4520*	4520*				3460*	3460*	6330
6.0m (19.8ft)					6170*	6170*	5900*	5290				3230*	3230*	7400
4.5m (14.9ft)			9710*	9710*	7580*	7580*	6390*	5130	5300*	3590		3180*	3180	8055
3.0m (9.10ft)			11210*	11210*	9180*	7560	7100*	4890	5480	3490		3260*	2920	8395
1.5m (4.11ft)					10460*	7070	7540	4660	5360	3380		3480*	2820	8457
0m			6880*	6880*	10830*	6800	7360	4500	5260	3290		3880*	2880	8247
- 1.5m (- 4.11ft)	6890*	6890*	11190*	11190*	10300*	6720	7280	4430	5240	3260		4590*	3130	7745
- 3.0m (- 9.10ft)	111480*	11480*	11880*	11880*	8890*	6770	6630*	4460				5290*	3720	6885
- 4.5m (- 14.9ft)			8060*	8060*	6150*	6150*						4570*	4570*	5500

Lift capacity front and rear. 
 Lift capacity full circle. 
 **Notes:** 1. The above loads are in compliance with SAE and ISO Hydraulic Excavator Lift Capacity Standards. 2. They do not exceed 87% of hydraulic lifting capacity or 75% of tipping load. 3. Rated loads marked with an asterisk (\*) are limited by hydraulic capacity rather than tipping load.



# JCB TRACKED EXCAVATOR | JZ 255 NC/LC



## LIFT CAPACITIES – Dipper length: 1.9m, T.A. Boom: 5.7m, Trackshoes: 600mm, No bucket.

**JZ255 NC T.A.B.**

Reach	1.5m (4ft 11in)		3m (9ft 10in)		4.5m (14ft 9in)		6m (19ft 8in)		7.5m (24ft 7in)		Max. Reach		Max. Reach mm
Load Point Ht.	kg	kg	kg	kg	kg	kg	kg	kg	kg	kg	kg	kg	
7.5m (24.7ft)					8160*	8160*					6840*	6840*	4776
6.0m (19.8ft)			11410*	11410*	9240*	8430	7310*	5260			6340*	5070	6127
4.5m (14.9ft)					10100*	7980	7910*	5130			6340*	4110	6905
3.0m (9.10ft)					10940*	7390	7840	4900			5780	3670	7299
1.5m (4.11ft)					10780*	6970	7600	4690			5590	3530	7370
0m					9580*	6820	7450*	4570			5800	3630	7129
- 1.5m (- 4.11ft)			6930*	6930*	7620*	6830	5950*	4550			5090	4070	6540
- 3.0m (- 9.10ft)					4580*	4580*					3530*	3530*	5492

## LIFT CAPACITIES – Dipper length: 2.4m, T.A. Boom: 5.7m, Trackshoes: 600mm, No bucket.

**JZ255 NC T.A.B.**

Reach	1.5m (4ft 11in)		3m (9ft 10in)		4.5m (14ft 9in)		6m (19ft 8in)		7.5m (24ft 7in)		Max. Reach		Max. Reach mm
Load Point Ht.	kg	kg	kg	kg	kg	kg	kg	kg	kg	kg	kg	kg	
7.5m (24.7ft)					7770*	7770*					5720*	5720*	5599
6.0m (19.8ft)					8240*	8240*	7390*	5360			5270*	4350	6786
4.5m (14.9ft)			14000*	14000*	9660*	8140	7670*	5200			5170*	3640	7496
3.0m (9.10ft)					10700*	7550	7910	4960	5570	3560	5170	3300	7859
1.5m (4.11ft)					10970*	7080	7640	4730	5460	3450	5030	3180	7926
0m					10150*	6850	7470	4570	5380	3380	5180	3260	7702
- 1.5m (- 4.11ft)			9400*	9400*	8460*	6800	6540*	4520			4810*	3580	7161
- 3.0m (- 9.10ft)			6030*	6030*	5790*	5790*	4100*	4100*			3660*	3660*	6220

## LIFT CAPACITIES – Dipper length: 3.0m, T.A. Boom: 5.7m, Trackshoes: 600mm, No bucket.

**JZ255 NC T.A.B.**

Reach	1.5m (4ft 11in)		3m (9ft 10in)		4.5m (14ft 9in)		6m (19ft 8in)		7.5m (24ft 7in)		Max. Reach		Max. Reach mm
Load Point Ht.	kg	kg	kg	kg	kg	kg	kg	kg	kg	kg	kg	kg	
9.0m (29.5ft)					4610*	4610*					4470*	4470*	4549
7.5m (24.7ft)					5830*	5830*	4720*	4720*			3760*	3760*	6323
6.0m (19.8ft)					6090*	6090*	5990*	5400			3520*	3520*	7393
4.5m (14.9ft)			9280*	9280*	8170*	8170*	7240*	5210	5440*	3630	3480*	3200	8049
3.0m (9.10ft)			10370*	10370*	10170*	7660	7720*	4950	5540	3510	3570*	2920	8389
1.5m (4.11ft)					10840*	7110	7620	4690	5400	3380	3810*	2820	8451
0m			6490*	6490*	10480*	6780	7390	4490	5280	3280	4240*	2860	8242
- 1.5m (- 4.11ft)			10820*	10820*	9170*	6670	6970*	4390	5030*	3230	4640*	3100	7739
- 3.0m (- 9.10ft)			8180*	8180*	6920*	6700	5190*	4410			3860*	3680	6878
- 4.5m (- 14.9ft)					3240*	3240*					2330*	2330*	5376

Lift capacity front and rear.
 Lift capacity full circle.
 **Notes:** 1. The above loads are in compliance with SAE and ISO Hydraulic Excavator Lift Capacity Standards. 2. They do not exceed 87% of hydraulic lifting capacity or 75% of tipping load. 3. Rated loads marked with an asterisk (\*) are limited by hydraulic capacity rather than tipping load.



# JCB TRACKED EXCAVATOR | JZ 255 NC/LC



## LIFT CAPACITIES – Dipper length: 1.9m, T.A. Boom: 5.7m, Trackshoes: 600mm, No bucket.

### JZ255 LC T.A.B.

Reach	1.5m (4ft 11in)		3m (9ft 10in)		4.5m (14ft 9in)		6m (19ft 8in)		7.5m (24ft 7in)		Max. Reach		Max. Reach mm	
Load Point Ht.	kg	kg	kg	kg	kg	kg	kg	kg	kg	kg	kg	kg		
7.5m (24.7ft)					8160*	8160*						6840*	6840*	4776
6.0m (19.8ft)			11410*	11410*	9240*	7620	7310*	4770				6340*	4600	6127
4.5m (14.9ft)					10100*	7190	7910*	4650				6340*	3720	6905
3.0m (9.10ft)					10940*	6610	7820	4430				5760	3320	7299
1.5m (4.11ft)					10780*	6210	7580	4220				5570	3180	7370
0m					9580*	6070	7440	4100				5780	3270	7129
- 1.5m (- 4.11ft)			6930*	6930*	7620*	6080	5950*	4090				5090*	3660	6540
- 3.0m (- 9.10ft)					4580*	4580*						3530*	3530*	5492

## LIFT CAPACITIES – Dipper length: 2.4m, T.A. Boom: 5.7m, Trackshoes: 600mm, No bucket.

### JZ255 LC T.A.B.

Reach	1.5m (4ft 11in)		3m (9ft 10in)		4.5m (14ft 9in)		6m (19ft 8in)		7.5m (24ft 7in)		Max. Reach		Max. Reach mm	
Load Point Ht.	kg	kg	kg	kg	kg	kg	kg	kg	kg	kg	kg	kg		
7.5m (24.7ft)					7770*	7770*						5720*	5440	5599
6.0m (19.8ft)					8240*	7760	7390*	4870				5270*	3950	6786
4.5m (14.9ft)			14000*	14000*	9660*	7340	7670*	4720				5170*	3300	7496
3.0m (9.10ft)					10700*	6770	7880	4480	5560	3210		5160	2980	7859
1.5m (4.11ft)					10970*	6310	7620	4250	5440	3110		5010	2870	7926
0m					10150*	6090	7440	4100	5360	3040		5160	2930	7702
- 1.5m (- 4.11ft)			9400*	9400*	8460*	6040	6540*	4050				4810*	3220	7161
- 3.0m (- 9.10ft)			6030*	6030*	5790*	5790*	4100*	4100*				3660*	3660*	6220

## LIFT CAPACITIES – Dipper length: 3.0m, T.A. Boom: 5.7m, Trackshoes: 600mm, No bucket.

### JZ255 LC T.A.B.

Reach	1.5m (4ft 11in)		3m (9ft 10in)		4.5m (14ft 9in)		6m (19ft 8in)		7.5m (24ft 7in)		Max. Reach		Max. Reach mm	
Load Point Ht.	kg	kg	kg	kg	kg	kg	kg	kg	kg	kg	kg	kg		
9.0m (29.5ft)					4610*	4610*						4470*	4470*	4549
7.5m (24.7ft)					5830*	5830*	4720*	4720*				3760*	3760*	6323
6.0m (19.8ft)					6090*	6090*	5990*	4900				3520*	3410	7393
4.5m (14.9ft)			9280*	9280*	8170*	7460	7240*	4730	5440*	3280		3480*	2890	8049
3.0m (9.10ft)			10370*	10370*	10170*	6870	7720*	4470	5520	3170		3570*	2630	8389
1.5m (4.11ft)					10840*	6340	7590	4210	5380	3040		3810*	2530	8451
0m			6490*	6490*	10480*	6020	7370	4020	5260	2940		4240*	2570	8242
- 1.5m (- 4.11ft)			10820*	10820*	9170*	5910	6970*	3930	5030*	2900		4640*	2780	7739
- 3.0m (- 9.10ft)			8180*	8180*	6920*	5940	5190*	3940				3860*	3300	6878
- 4.5m (- 14.9ft)					3240*	3240*						2330*	2330*	5376

Lift capacity front and rear.
 Lift capacity full circle.
 **Notes:** 1. The above loads are in compliance with SAE and ISO Hydraulic Excavator Lift Capacity Standards. 2. They do not exceed 87% of hydraulic lifting capacity or 75% of tipping load. 3. Rated loads marked with an asterisk (\*) are limited by hydraulic capacity rather than tipping load.



## A GLOBAL COMMITMENT TO QUALITY

JCB's total commitment to its products and customers has helped it grow from a one-man business into Britain's largest privately owned manufacturer of backhoe loaders, crawler excavators, wheeled excavators, telescopic handlers, wheeled loaders, dump trucks, rough terrain fork lifts, industrial fork lifts, mini/midi excavators, skid steer loaders and tractors.

By making constant and massive investments in the latest production technology, the JCB factories have become some of the most advanced in Europe.

By leading the field in innovative research and design, extensive testing and stringent quality control, JCB machines have become renowned all over the world for performance, value and reliability.

And with a global sales and service network of over 400 distributors and agents, the company exports over 70% of its production to all five continents.

Through setting the standards by which others are judged, JCB has become one of Britain's most impressive success stories.

